



Artifacts™ | K-701724-10L

80-7/8" H sliding shower door with 3/8"-thick glass

Features

- Exposed roller design allows for effortless opening and closing of the sliding panel
- Frameless design for an open, airy look
- Back-to-back 16-7/16" (418 mm) vertical handles
- CleanCoat®+ glass coating creates a hydrophobic barrier that repels water, soap scum, and residue, saving time and protecting shower doors 10 times longer than original CleanCoat. (Based on 2021 internal wear/abrasion testing using a microfiber cloth.)
- Available in select finishes to match Artifacts faucets and accessories
- Coordinates with other products in the Artifacts collection



Available Colors/Finishes

Color tiles intended for reference only.

- CP Polished Chrome
- SN Vibrant Polished Nickel
- BN Vibrant Brushed Nickel
- 2BZ Oil-Rubbed Bronze



1-800-4KOHLER (1-800-456-4537)

Kohler Co. reserves the right to make revisions without notice to product specifications.
For the most current specification sheet, go to www.kohler.com USA or www.kohler.ca Canada.
4-15-2026 6:18 - US-CA

THE BOLD LOOK
OF **KOHLER**

Codes/Standards

ANSI Z97.1 (Tempered Glass)
CAN/CGSB-12.1
CPSC 16CFR 1201

Technical Information

All product dimensions are nominal.

Shower Ledge Minimum Flat:	2-7/16" (62 mm)
Shower Wall Minimum Flat:	3-5/16" (84 mm)
Weight:	192 lbs (87.1 kg)

Material

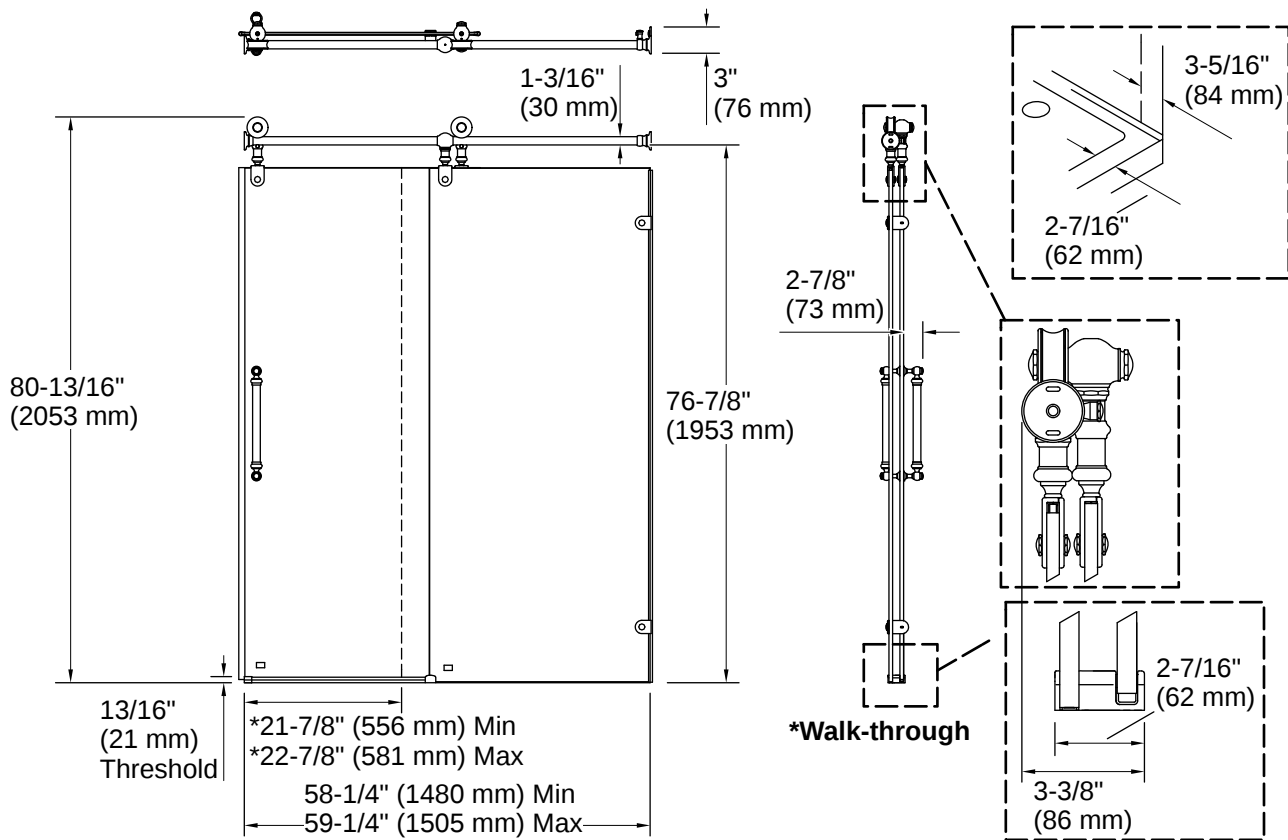
- Frameless, heavy 3/8" (10 mm) thick Crystal Clear tempered glass door and in-line panel
 - Premium construction for durability and reliability
 - KOHLER finishes resist corrosion and tarnishing
-

Warranty

See website for detailed warranty information.

KOHLER® Bath and Shower Doors Ten-Year Limited Warranty





Installation

- 80-7/8" (2054 mm) high, with a lofty 76-7/8" (1953 mm) minimum head clearance
- Fits opening widths 58-1/4" – 59-1/4" (1480 – 1505 mm)
- 1" (25.4 mm) width adjustment
- Out-of-plumb adjustability simplifies installation
- Door can be installed to open to the left or right to suit your bathroom layout
- For residential use only
- Not for use with cast iron shower bases

Installation Notes

Install this product according to the installation instructions.

The vertical opening should be a minimum of 83" (2108 mm) to allow for installation clearance.

