



# Composed™ | K-701696-L

Sliding shower door, 78" H x 56-1/8 - 59-7/8" W, with 3/8" thick Crystal Clear glass

## Features

- Sleek, exposed roller design allows for effortless opening and closing of the sliding panel
- Frameless design emphasizes glass and creates a sleek, minimalist look
- Controlled Close® innovative soft-close with double-dampening technology brings door to a secure close
- Back-to-back 11-1/2" (292 mm) vertical handles
- CleanCoat®+ glass coating creates a hydrophobic barrier that repels water, soap scum, and residue, saving time and protecting shower doors 10 times longer than original CleanCoat. (Based on 2021 internal wear/abrasion testing using a microfiber cloth.)
- Coordinates with other products in the Composed® collection



## Available Colors/Finishes

*Color tiles intended for reference only.*

- SHP Bright Polished Silver
- BL Matte Black
- BNK Anodized Brushed Nickel



## Codes/Standards

ANSI Z97.1 (Tempered Glass)  
CAN/CGSB-12.1  
CPSC 16CFR 1201

---

## Technical Information

*All product dimensions are nominal.*

Base-To-Wall Radius - Maximum:	3/8" (10 mm)
Shower Ledge Minimum Flat:	2-3/4" (70 mm)
Shower Wall Minimum Flat:	2-3/4" (70 mm)
Weight:	174 lbs (78.9 kg)

---

## Material

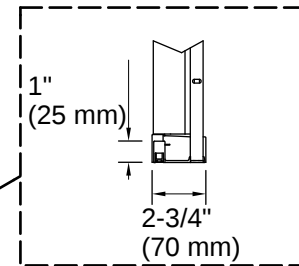
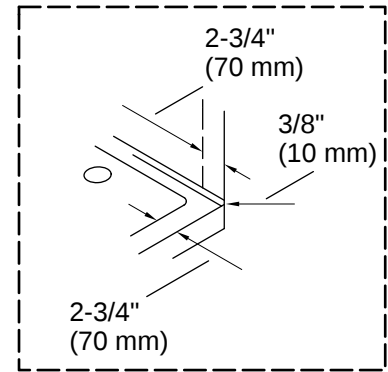
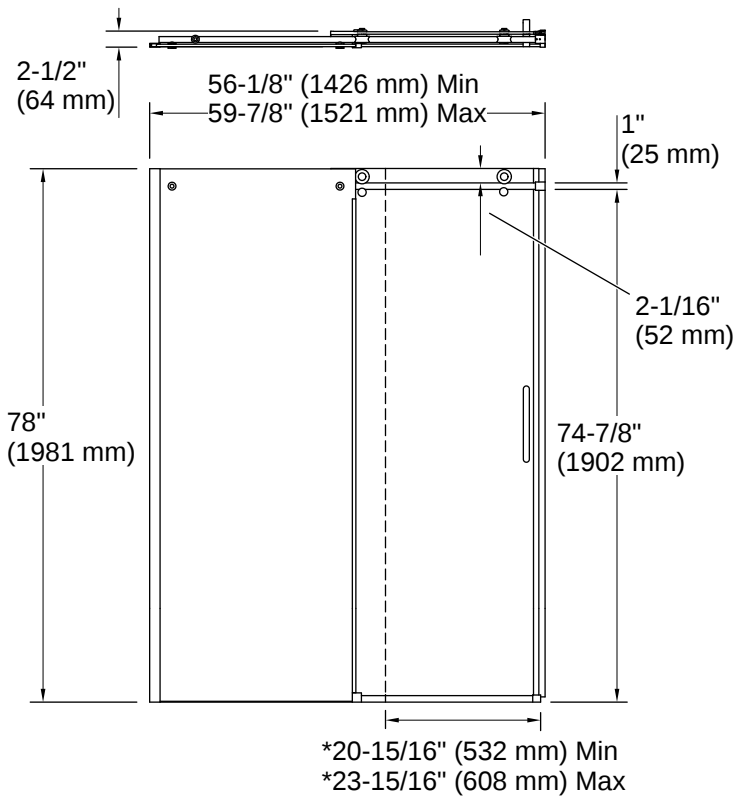
- Frameless, heavy 3/8" (10 mm) thick Crystal Clear tempered glass door and in-line panel
  - Anodized aluminum prevents rust and corrosion
- 

## Warranty

*See website for detailed warranty information.*

KOHLER® Bath and Shower Doors Ten-Year Limited Warranty





**\*Walk-through**

## Installation

- 78" (1981 mm) high, with a lofty 74-7/8" (1902 mm) minimum head clearance
- Fits opening widths 56-1/8" - 59-7/8" (1426 mm - 1521 mm)
- 3-3/4" (95.25 mm) width adjustment
- Out-of-plumb adjustability simplifies installation
- Door can be installed to open to the left or right to suit your bathroom layout
- For residential use only
- Not for use in hospitality
- Not for use with cast iron shower bases

## Installation Notes

*Install this product according to the installation instructions.*

The vertical opening should be a minimum of 80" (2032 mm) to allow for installation clearance.

