

Bannon™ | K-6716

24" x 20-1/4" wall-mount or P-trap mount service sink with rim guard and back drilled on 8" centers

Features

- Back drilled on 8" centers
- Includes rim guard for added durability
- Sink exterior is an unpainted, ground-coat surface. Submitted pictures are customer photos that may reflect an alteration to the exterior, such as painting or refinishing, and may no longer reflect the raw elements of the cast iron material as purchased
- Rectangular basin
- Without overflow
- 24" (610 mm) x 20-1/4" (514 mm)



Sustainability



Available Colors/Finishes

Color tiles intended for reference only.

- 0 White



Codes/Standards

ASME A112.19.1/CSA B45.2

Technical Information

Number of Deck Holes:	2
Faucet Hole(s) Size:	1-1/2" (38 mm)
Drain Hole Diameter:	3-1/8" (80 mm)
Basin Configuration:	Single Bowl
Basin Length:	20" (508 mm)
Basin Width:	16" (406 mm)
Basin Depth:	13" (330 mm)

Material

- KOHLER® enameled cast iron
-

Recommended Products/Accessories

K-23726 Drain treatment

K-23725 Cast iron cleaner

K-9142 Service sink strainer tapped for 2" NPT

K-9146 Service sink strainer tapped for 3" NPT

K-9147 Service sink strainer for 2" caulk connection

K-6672 Adjustable trap for 2" iron pipe connection

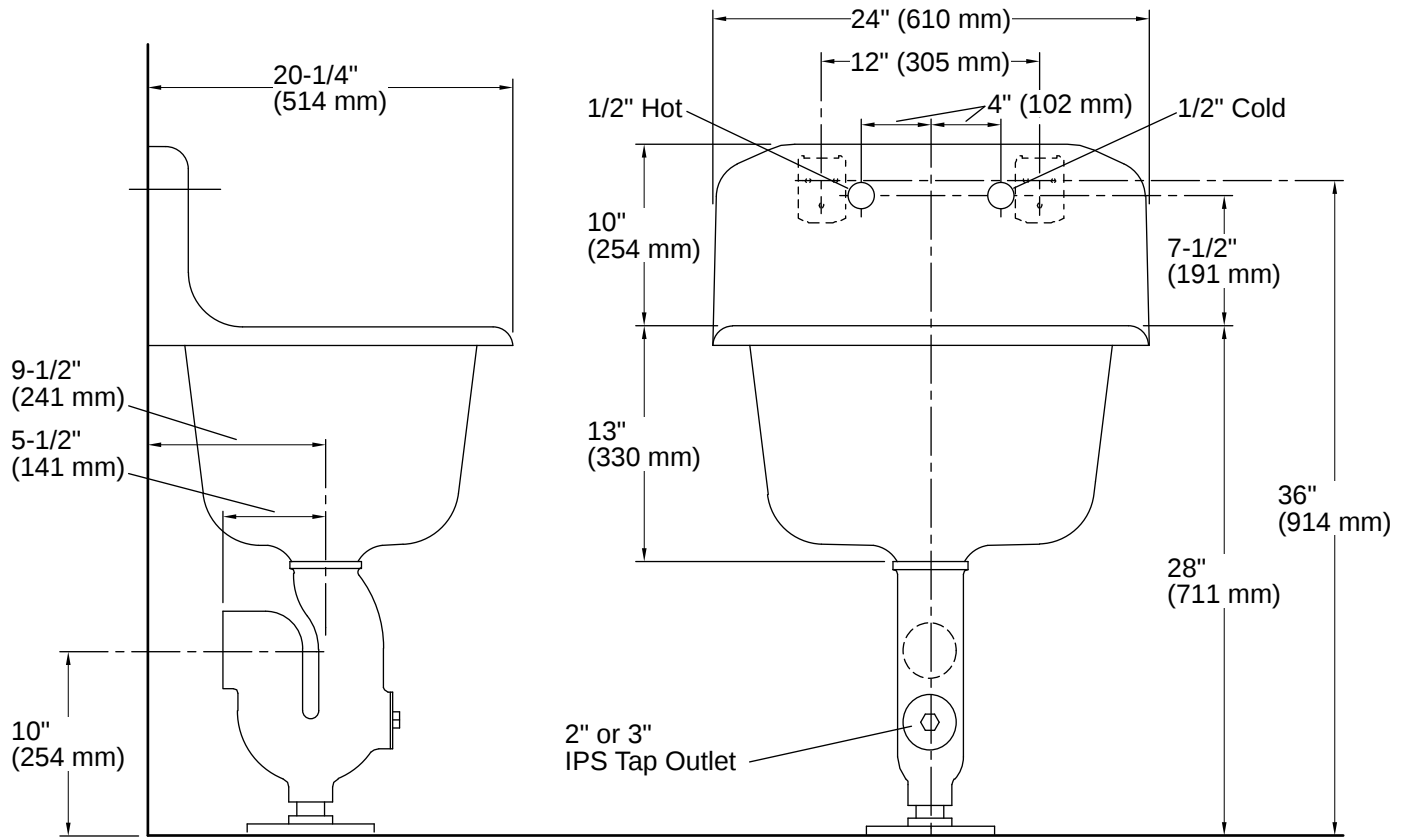
K-6673 Adjustable trap standard for 3" iron pipe connection

Warranty

See website for detailed warranty information.

KOHLER® Enameled Cast Iron Kitchen and Bathroom Sink Lifetime Limited Warranty





Installation

- Wall-mount

Installation Notes

Install this product according to the installation instructions.

WARNING: Risk of personal injury. The rim guard has sharp edges.

Use caution when handling

IMPORTANT: This product is not intended for installation in a residential setting.

