

Bannon™ | K-6714

22-1/4" wall-mount service sink

Features

- 22-1/4" (565 mm) x 18-1/4" (464 mm)
- 8" (203 mm) widespread faucet holes
- Stainless steel rim guard adds durability
- Sink exterior is an unpainted, ground-coat surface. Submitted pictures are customer photos that may reflect an alteration to the exterior, such as painting or refinishing, and may no longer reflect the raw elements of the cast iron material as purchased
- Rectangular basin
- Without overflow
- Sink drain with strainer sold separately



Sustainability



Available Colors/Finishes

Color tiles intended for reference only.

■ 0 White



Codes/Standards

ASME A112.19.1/CSA B45.2

Technical Information

Number of Deck Holes:	2
Faucet Hole(s) Size:	1-1/2" (38 mm)
Center(s):	8" (203 mm)
Drain Hole Diameter:	3-1/8" (80 mm)
Minimum Base Cabinet Width:	26" (660 mm)
Basin Configuration:	Single Bowl
Basin Length:	18" (457 mm)
Basin Width:	14" (356 mm)
Basin Depth:	13" (330 mm)

Material

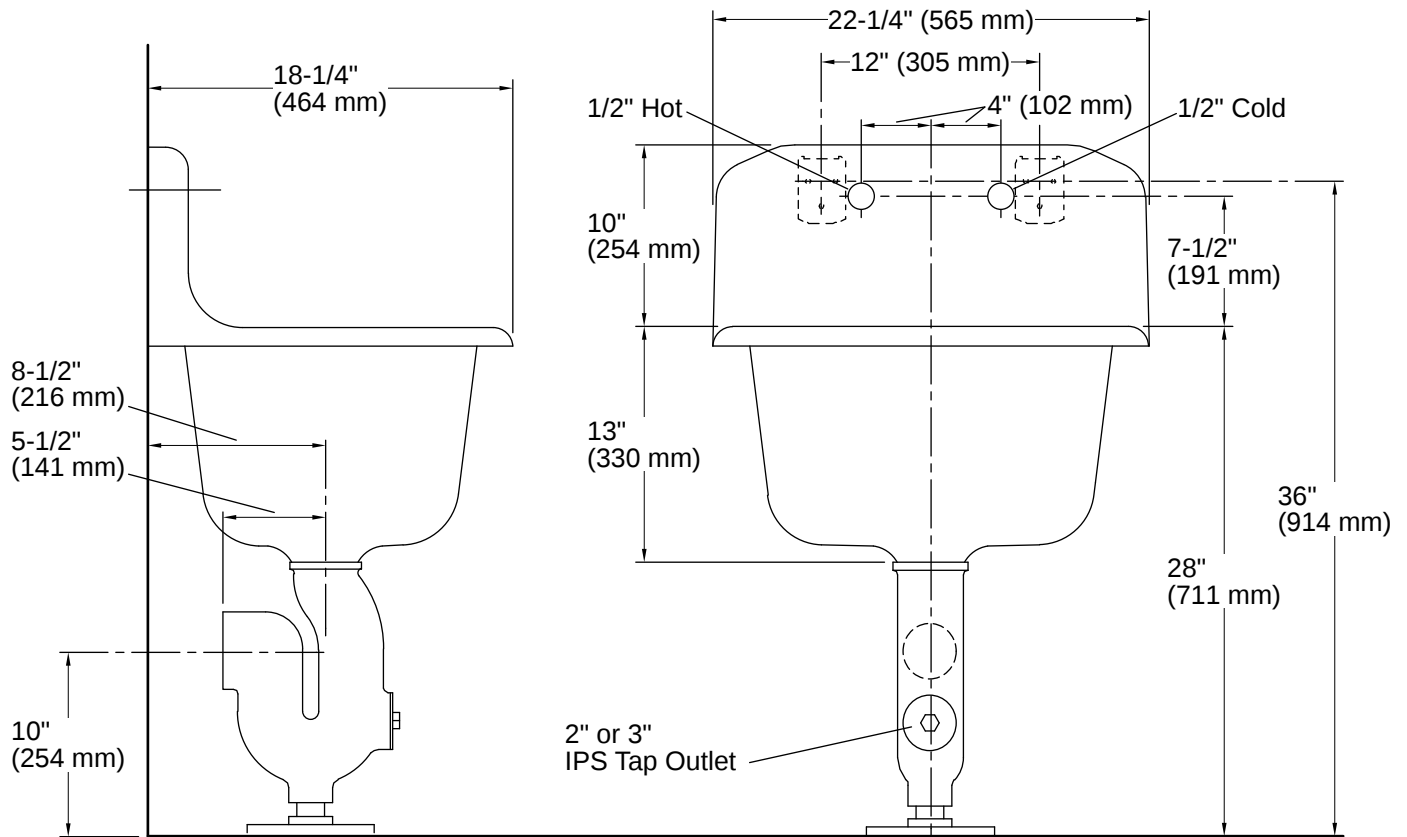
- KOHLER® enameled cast iron
-

Warranty

See website for detailed warranty information.

KOHLER® Enameled Cast Iron Kitchen and Bathroom Sink Lifetime
Limited Warranty





Installation

- Wall-mount

Installation Notes

Install this product according to the installation instructions.

WARNING: Risk of personal injury. The rim guard has sharp edges.

Use caution when handling.

IMPORTANT: This product is not intended for installation in a residential setting.

