



# Vault™ Strive® | K-6647

Stainless steel sink rack for right bowl, 15-15/16" x 11-1/16"

## Features

- Fits in the small right bowl of select Vault and Strive kitchen sinks
- Helps protect sink surface from daily wear
- Dishwasher-safe
- Rubber feet provide added protection



## Available Colors/Finishes

*Color tiles intended for reference only.*

 ST Stainless Steel



1-800-4KOHLER (1-800-456-4537)  
Kohler Co. reserves the right to make revisions without notice to product specifications.  
For the most current specification sheet, go to [www.kohler.com](http://www.kohler.com) USA or [www.kohler.ca](http://www.kohler.ca) Canada.  
4-15-2026 3:15 - US-CA

THE BOLD LOOK  
OF **KOHLER**®

---

## Codes/Standards

*None Applicable*

---

## Material

- Durable stainless steel construction
- 

## Recommended Products/Accessories

K-23729 Stainless steel cleaner

---

## Warranty

*See website for detailed warranty information.*

KOHLER® One-Year Limited Warranty

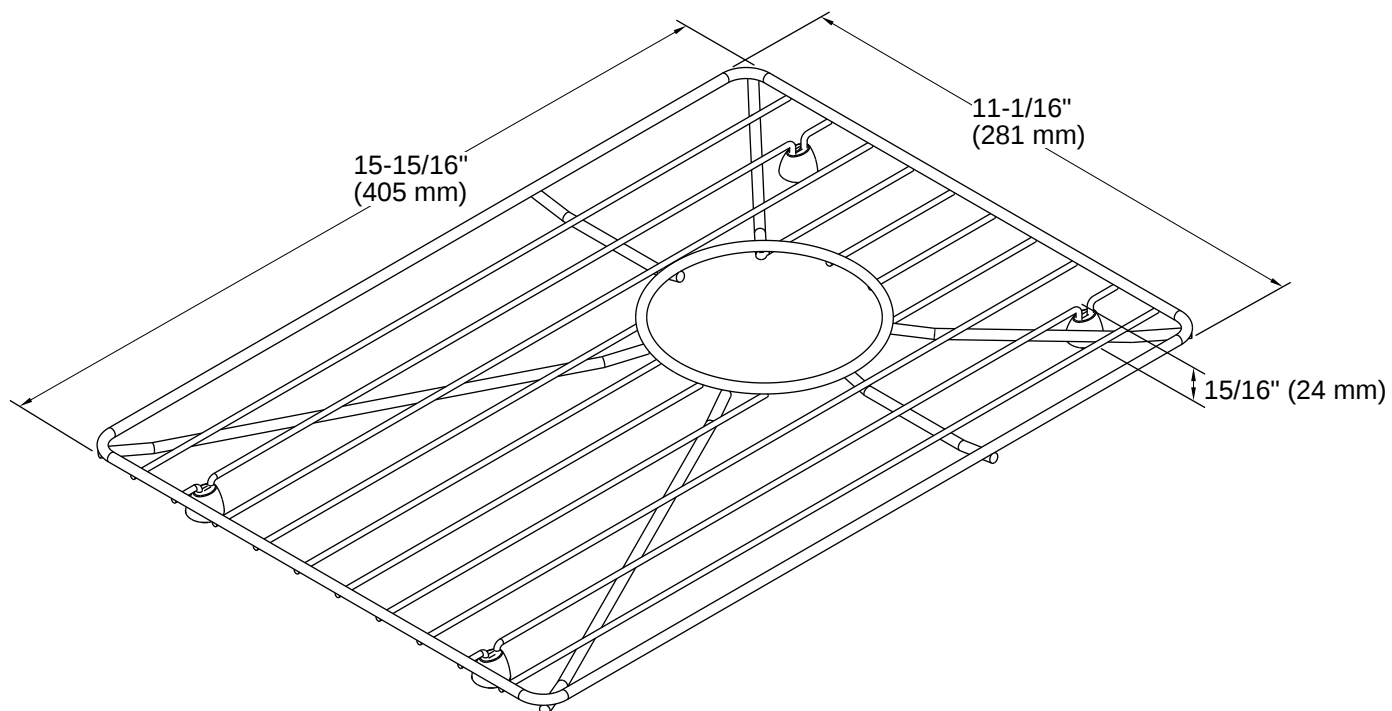


1-800-4KOHLER (1-800-456-4537)

Kohler Co. reserves the right to make revisions without notice to product specifications.

For the most current specification sheet, go to [www.kohler.com](http://www.kohler.com) USA or [www.kohler.ca](http://www.kohler.ca) Canada.

4-15-2026 3:15 - US-CA



### Installation Notes

*Install this product according to the installation instructions.*

