



# Northland™ | K-6589-U

15" undermount single-bowl bar sink

## Features

- 15" (381 mm) minimum base cabinet width
- Single bowl
- 7" depth



## Sustainability



## Available Colors/Finishes

*Color tiles intended for reference only.*

- |     |             |
|-----|-------------|
| 0   | White       |
| FF  | Sea Salt    |
| 96  | Biscuit     |
| NY  | Dune        |
| 95  | Ice Grey    |
| 7   | Black Black |
| TRF | Truffle     |
| 17  | Teal        |
| 34  | Fresh Green |
| 42  | Aspen Green |



1-800-4KOHLER (1-800-456-4537)  
Kohler Co. reserves the right to make revisions without notice to product specifications.  
For the most current specification sheet, go to [www.kohler.com](http://www.kohler.com) USA or [www.kohler.ca](http://www.kohler.ca) Canada.  
4-15-2026 2:2 - US-CA

THE BOLD LOOK  
OF **KOHLER**

---

## Codes/Standards

*ADA compliant when installed to the specific requirements of these regulations.*

*ADA permits a parallel approach to wet bars.*

ADA

ASME A112.19.1/CSA B45.2

ADA

ICC/ANSI A117.1

---

## Technical Information

*All product dimensions are nominal.*

Drain Hole Diameter:	3-7/8" (98 mm)
Minimum Base Cabinet Width:	15" (381 mm)
Basin Configuration:	Single Bowl
Basin Length:	12" (305 mm)
Basin Width:	9-1/4" (235 mm)
Basin Depth:	7" (178 mm)

---

## Material

- KOHLER® enameled cast iron
- 

## Recommended Products/Accessories

K-23726 Drain treatment

K-23725 Cast iron cleaner

K-8801 Sink drain and strainer with tailpiece

K-8799 Sink drain and strainer basket, less tailpiece

---

## Warranty

*See website for detailed warranty information.*

KOHLER® Enameled Cast Iron Kitchen and Bathroom Sink Lifetime Limited Warranty

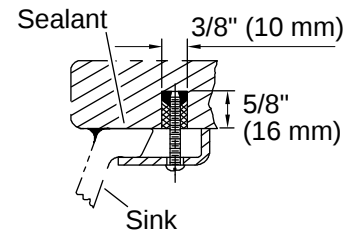
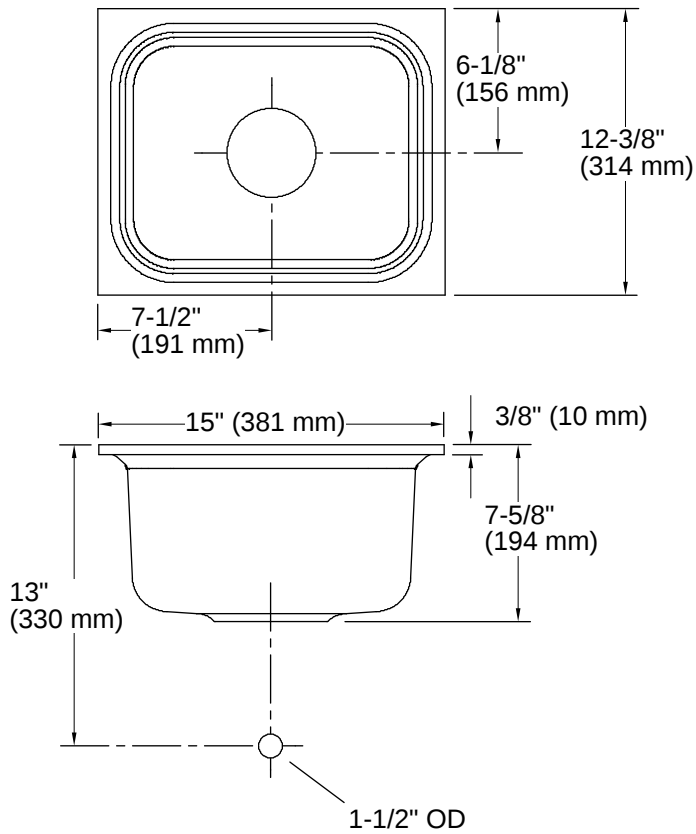


1-800-4KOHLER (1-800-456-4537)

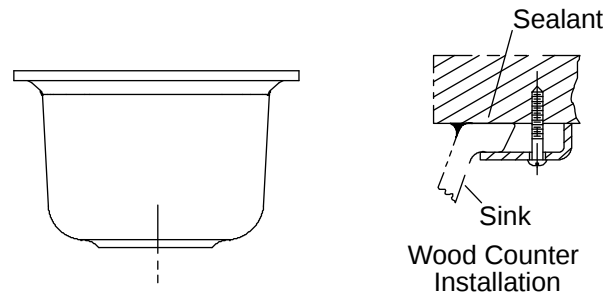
Kohler Co. reserves the right to make revisions without notice to product specifications.

For the most current specification sheet, go to [www.kohler.com](http://www.kohler.com) USA or [www.kohler.ca](http://www.kohler.ca) Canada.

4-15-2026 2:2 - US-CA



Marble Slab Installation



Wood Counter Installation

**Note:** Waterproof the unprotected overhang area on the underside of a wood counter.

## Installation

- Includes undermount installation kit for simplified installation
- Undermount

## Installation Notes

*Install this product according to the installation instructions.*

Supplied bowl clamp assemblies require 1" (25 mm) minimum countertop thickness. Installer must supply anchors for thinner countertops.

For multiple bowl under-mount installations, a minimum distance of 3-3/8" (86 mm) is required between bowls. Countertop supplier to determine required support.

ADA compliant when installed to the specific requirements of these regulations.

ADA permits a parallel approach to wet bars.

