



Iron/Tones® | K-6585

24-1/4" top-/undermount single-bowl bar sink

Features

- 27" (686 mm) minimum base cabinet width
- Single bowl
- 7-1/2" (191 mm) depth



Sustainability



Available Colors/Finishes

Color tiles intended for reference only.

- | | |
|-----|-------------|
| 0 | White |
| FF | Sea Salt |
| 96 | Biscuit |
| NY | Dune |
| 95 | Ice Grey |
| 7 | Black Black |
| TRF | Truffle |
| 34 | Fresh Green |
| 42 | Aspen Green |



1-800-4KOHLER (1-800-456-4537)
Kohler Co. reserves the right to make revisions without notice to product specifications.
For the most current specification sheet, go to www.kohler.com USA or www.kohler.ca Canada.
4-15-2026 3:33 - US-CA

THE BOLD LOOK
OF **KOHLER**

Codes/Standards

ASME A112.19.1/CSA B45.2

Technical Information

All product dimensions are nominal.

Drain Hole Diameter:	3-7/8" (98 mm)
Minimum Base Cabinet Width:	27" (686 mm)
Basin Configuration:	Single Bowl
Basin Length:	21" (533 mm)
Basin Width:	16" (406 mm)
Basin Depth:	7-1/2" (191 mm)

Material

- KOHLER® enameled cast iron
-

Recommended Products/Accessories

K-3192 Stainless steel sink rack, 19-1/2" x 14" for Iron/Tones® kitchen sinks

K-5184 Stainless steel sink rack, 12-7/8" x 14-11/16"

K-23726 Drain treatment

K-23725 Cast iron cleaner

K-8801 Sink drain and strainer with tailpiece

K-8799 Sink drain and strainer basket, less tailpiece

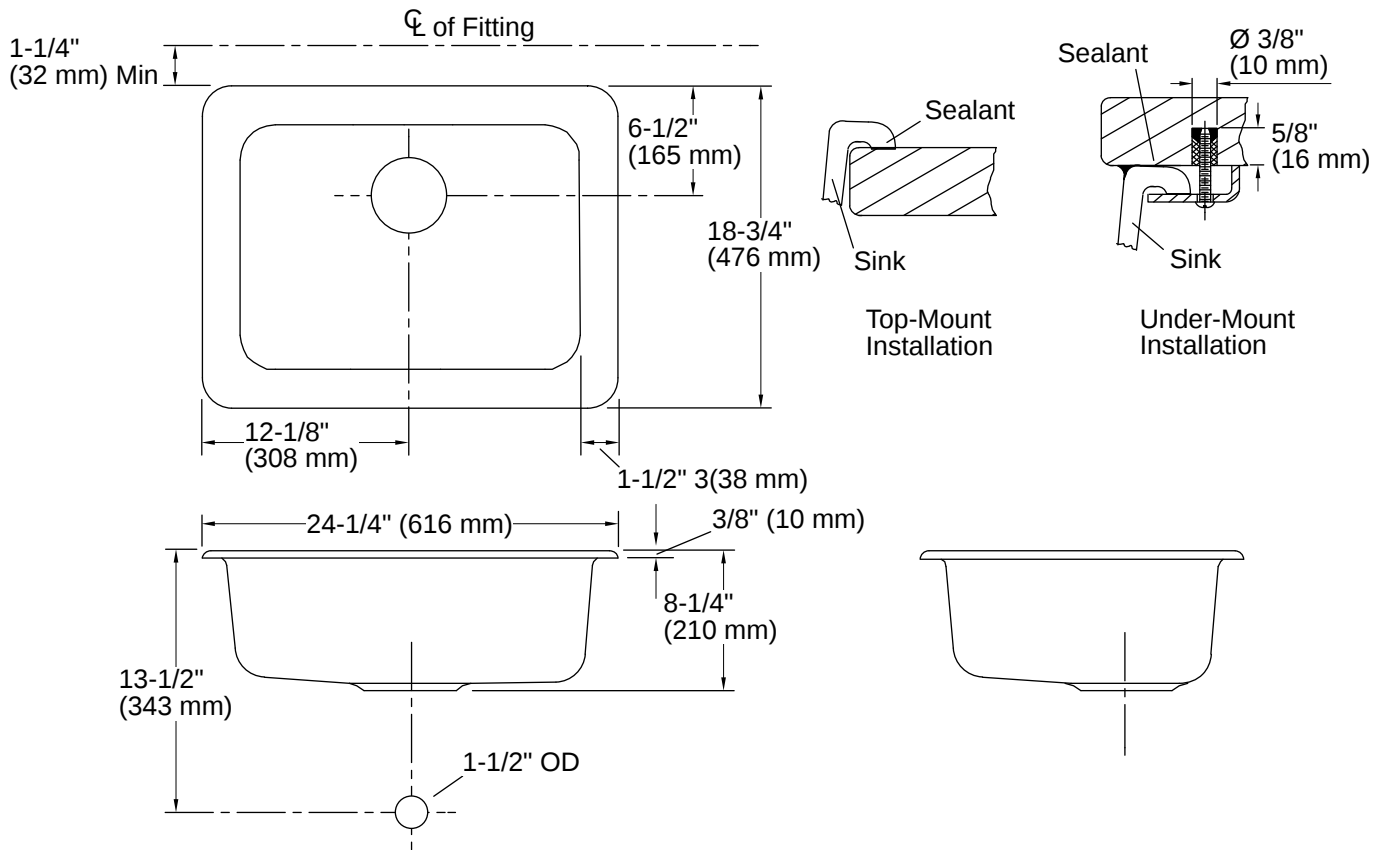
Warranty

See website for detailed warranty information.

KOHLER® Enameled Cast Iron Kitchen and Bathroom Sink Lifetime Limited Warranty



1-800-4KOHLER (1-800-456-4537)
Kohler Co. reserves the right to make revisions without notice to product specifications.
For the most current specification sheet, go to www.kohler.com USA or www.kohler.ca Canada.
4-15-2026 3:33 - US-CA



Installation

- Top-mount or undermount

Installation Notes

Install this product according to the installation instructions.

Supplied bowl clamp assemblies require 1" (25 mm) minimum countertop thickness. Installer must supply hardware for thinner countertops.

For multiple bowl under-mount installations, a minimum distance of 3-3/8" (86 mm) is required between bowls. Countertop supplier to determine required support.

