



Sunstruck® | K-6368

65-1/2" x 35-1/2" freestanding bath, straight shroud

Features

- Freestanding design creates a striking focal point in your bathing area
- Oval basin creates a spacious bathing experience
- Integral lumbar support on both ends
- 16" (406 mm) depth offers a deep soaking experience
- Wide deck along one side simplifies installation and provides support for getting in and out of bath
- Straight shroud
- Textured bottom surface



Available Colors/Finishes

Color tiles intended for reference only.

- 0 White
- 47 Almond
- NY Dune
- G9 Sandbar



1-800-4KOHLER (1-800-456-4537)
Kohler Co. reserves the right to make revisions without notice to product specifications.
For the most current specification sheet, go to www.kohler.com USA or www.kohler.ca Canada.
4-15-2026 3:27 - US-CA

THE BOLD LOOK
OF **KOHLER**®

Codes/Standards

CSA B45.5/IAPMO Z124

Technical Information

All product dimensions are nominal.

Drain Location:	Center
Drain Hole Diameter:	2-1/4" (57 mm)
Basin Area, Bottom:	45-3/4" x 24-7/8" (1162 mm x 632 mm)
Basin Area, Top:	54-7/8" x 29-3/16" (1394 mm x 741 mm)
Water Depth:	15-3/4" (400 mm)
Water Capacity:	72.6 gal (274.8 L)
Minimum Floor Load:	40.4 lbs/ft ²
Weight:	110 lbs (49.9 kg)

Material

- Acrylic
-

Recommended Products/Accessories

K-23726 Drain treatment
K-23732 Tub & shower cleaner
K-7265 Brass toe tap bath drain

Required Products/Accessories

- K-T37392 Rotary-turn bath drain trim
 - K-T37391 Rotary-turn bath drain trim
 - K-78438 30" cable bath drain
-

Warranty

See website for detailed warranty information.

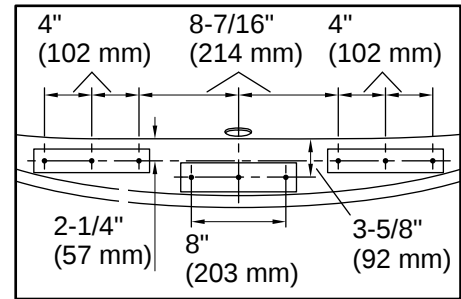
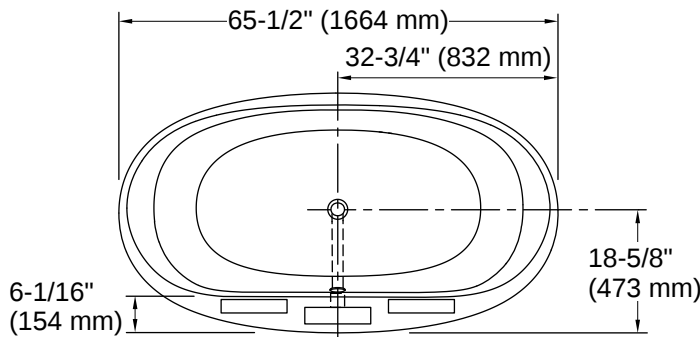
KOHLER® Plastic Baths and Shower Bases Lifetime Limited Warranty



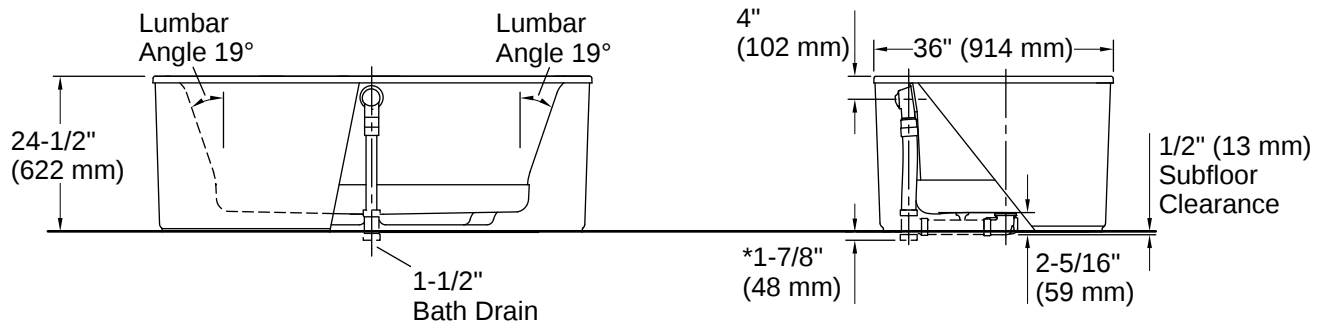
1-800-4KOHLER (1-800-456-4537)
Kohler Co. reserves the right to make revisions without notice to product specifications.
For the most current specification sheet, go to www.kohler.com USA or www.kohler.ca Canada.
4-15-2026 3:27 - US-CA

No change in measurements if connected with drain illustrated. (K-37386)

☐ Recommended Faucet Location



Recommended Faucet Hole Location



*Allow for appropriate clearance in subfloor for drain clearance.
Note: Horizontal PVC pipe and tee shown, not included.

Installation

- Center drain
- Freestanding

Installation Notes

Install this product according to the installation instructions.

Measure your actual product for rough-in details.

The hot water supply should be 70% of the capacity of the bath or greater. Installations will vary.

Do not support the load weight of the bath by the rim.

If installing a rim-mount faucet, make sure there is no interference

above or below the deck before drilling any holes.

