



Stargaze® | K-6367

72" x 36" freestanding bath with fluted shroud

Features

- Freestanding design creates a striking focal point in your bathing area
- Integral lumbar support on both ends
- 16" (406 mm) depth offers a deep soaking experience
- Wide deck along one side simplifies installation and provides support for getting in and out of bath
- Fluted shroud
- Textured bottom surface



Available Colors/Finishes

Color tiles intended for reference only.

- 0 White



1-800-4KOHLER (1-800-456-4537)
Kohler Co. reserves the right to make revisions without notice to product specifications.
For the most current specification sheet, go to www.kohler.com USA or www.kohler.ca Canada.
4-15-2026 3:27 - US-CA

THE BOLD LOOK
OF **KOHLER**®

Codes/Standards

CSA B45.5/IAPMO Z124
ASTM E162
ASTM E662

Technical Information

All product dimensions are nominal.

| | |
|----------------------|----------------------------------|
| Drain Location: | Center |
| Drain Hole Diameter: | 2-1/4" (57 mm) |
| Basin Area, Bottom: | 50" x 24-1/2" (1270 mm x 622 mm) |
| Basin Area, Top: | 61" x 27-1/2" (1549 mm x 699 mm) |
| Water Depth: | 15-11/16" (398 mm) |
| Water Capacity: | 90 gal (340.7 L) |
| Minimum Floor Load: | 48.8 lbs/ft ² |
| Weight: | 152 lbs (68.9 kg) |

Material

- Acrylic
-

Recommended Products/Accessories

K-23726 Drain treatment
K-23732 Tub & shower cleaner
K-T37391 Rotary-turn bath drain trim

Required Products/Accessories

- K-7265 Brass toe tap bath drain
-

Warranty

See website for detailed warranty information.

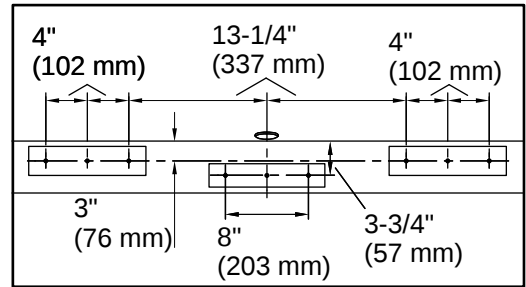
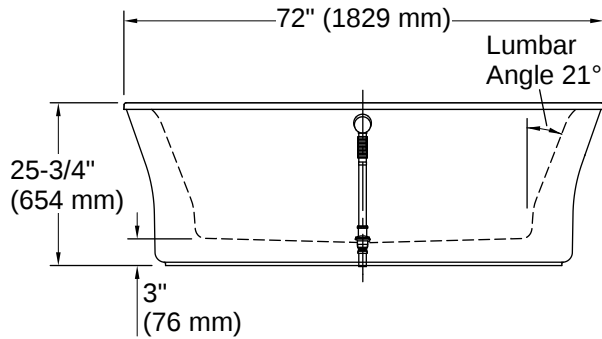
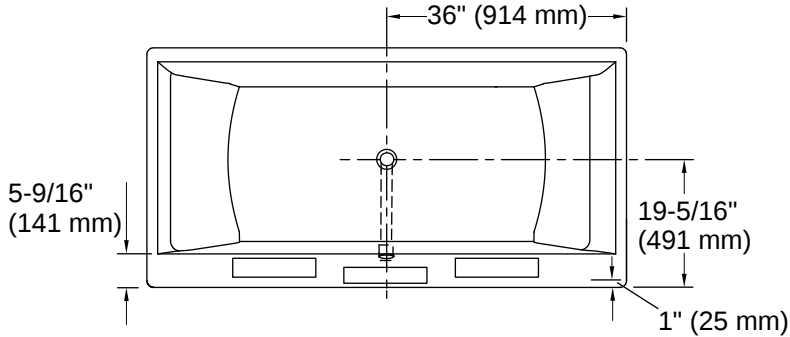
KOHLER® Plastic Baths and Shower Bases Lifetime Limited Warranty



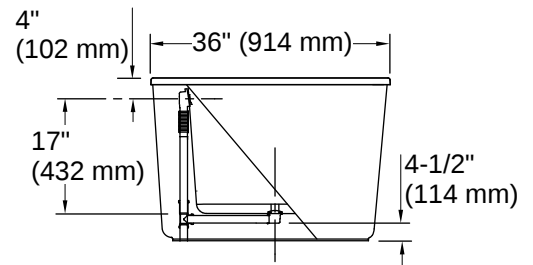
1-800-4KOHLER (1-800-456-4537)
Kohler Co. reserves the right to make revisions without notice to product specifications.
For the most current specification sheet, go to www.kohler.com USA or www.kohler.ca Canada.
4-15-2026 3:27 - US-CA

No change in measurements if connected with drain illustrated. (K-7265)

 Recommended Faucet Location



Recommended Faucet Hole Location



Installation

- Center drain
- Freestanding

Installation Notes

Install this product according to the installation instructions.

Measure your actual product for rough-in details.

The hot water supply should be 70% of the capacity of the bath or greater. Installations will vary.

This bath is designed for freestanding installation only.

Do not support the load weight of the bath by the rim.

If installing a rim-mount faucet, make sure there is no interference above or below the deck before drilling any holes.

