



# Stargaze® | K-6367-W1

72" x 36-1/4" freestanding bath with Bask® heated surface and fluted shroud

## Features

- Bask® heated surface creates spa-like relaxation with soothing warmth on your back, shoulders, and neck
- Three heat settings allow you to customize the surface temperature
- Freestanding design creates a striking focal point in your bathing area
- 16" (406 mm) depth offers a deep soaking experience
- Integral lumbar support on both ends
- Textured bottom surface
- Wide deck along one side simplifies installation and provides support for getting in and out of bath
- Fluted shroud



## Available Colors/Finishes

*Color tiles intended for reference only.*

- 0 White



---

## Codes/Standards

CSA B45.5/IAPMO Z124  
ASTM E162  
ASTM E662  
CSA C22.2 No. 218.2  
cUL Listed  
UL Listed

---

## Technical Information

*All product dimensions are nominal.*

|                      |                        |
|----------------------|------------------------|
| Drain Location:      | Center                 |
| Drain Hole Diameter: | 2-1/4" (57 mm)         |
| Water Depth:         | 15-11/16" (398 mm)     |
| Water Capacity:      | 72 gal (272.5 L)       |
| Minimum Floor Load:  | 45 lbs/ft <sup>2</sup> |
| Weight:              | 91 lbs (41.3 kg)       |

---

## Material

- Acrylic
- 

## Recommended Products/Accessories

K-23726 Drain treatment  
K-23732 Tub & shower cleaner

---

## Required Products/Accessories

- K-7265 Brass toe tap bath drain
- 

## Required Electrical Service

One circuit required, protected with Class A Ground-Fault Circuit-Interrupter (GFCI). Outside North America, this device may be known as a Residual Current Device (RCD).

Heated Surface: 120 V, 15 A, 60 Hz

## Electrical Component Ratings

Heated Surface: 120 V, 1.1 A, 50/60 Hz, 65 W

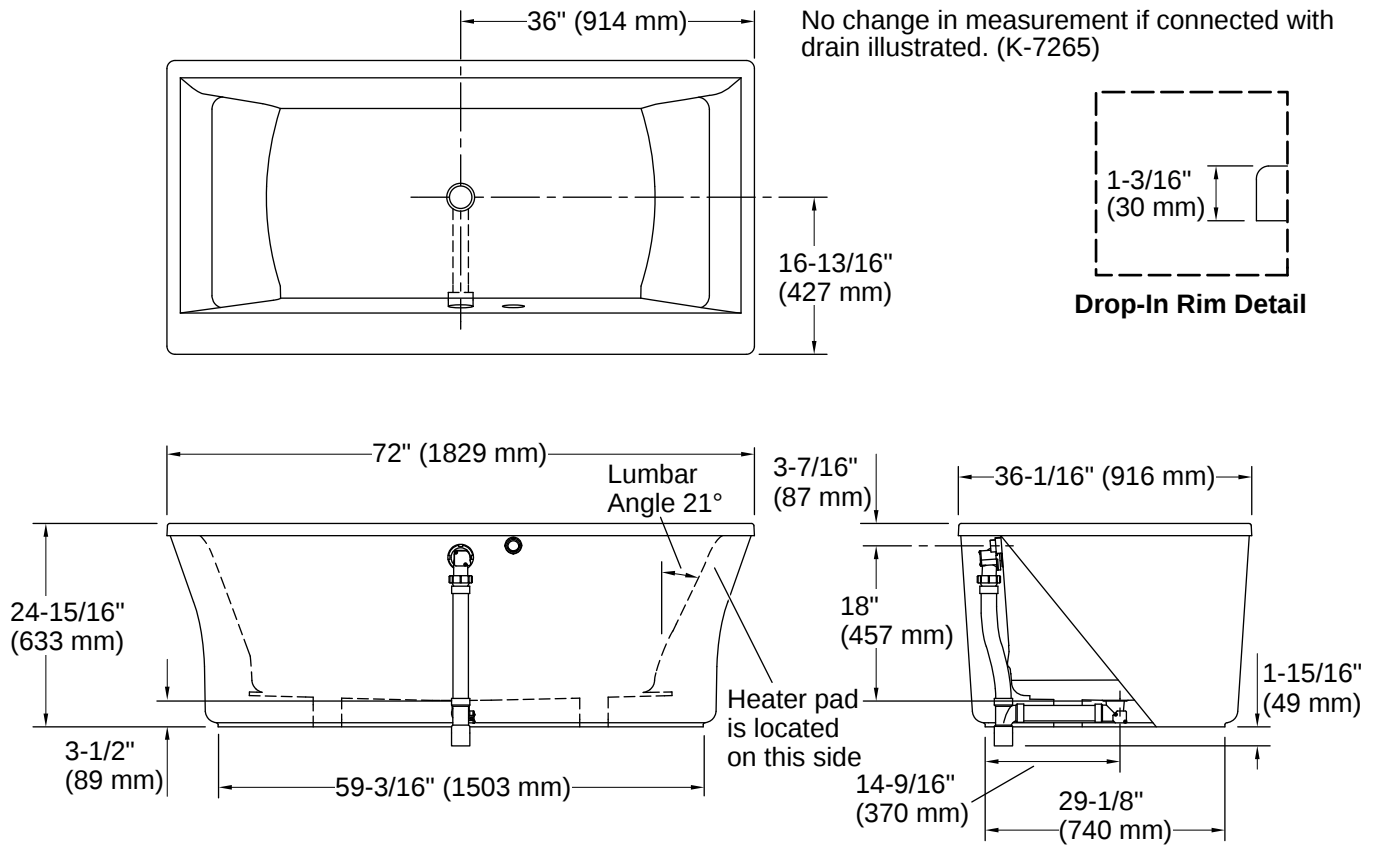
---

## Warranty

*See website for detailed warranty information.*

KOHLER® Plastic Baths and Shower Bases Lifetime Limited Warranty





## Installation

- Center drain
- Freestanding

## Installation Notes

*Install this product according to the installation instructions.*

Measure your actual product for rough-in details.

The hot water supply should be 70% of the capacity of the bath or greater. Installations will vary.

If installing a rim-mount faucet, make sure there is no interference above or below the deck before drilling any holes.

