

## K-6291

2"x 6" wall-hung toilet cast iron waste pipe

### Features

- Can be used in those municipalities where it is required by code
- For use with the K-6284 2"x6" In-Wall Tank and Carrier System when required by code



### Sustainability



### Available Colors/Finishes

*Color tiles intended for reference only.*

NA NA Not Applicable



## Codes/Standards

ASTM A888

---

## Recommended Products/Accessories

K-23725 Cast iron cleaner

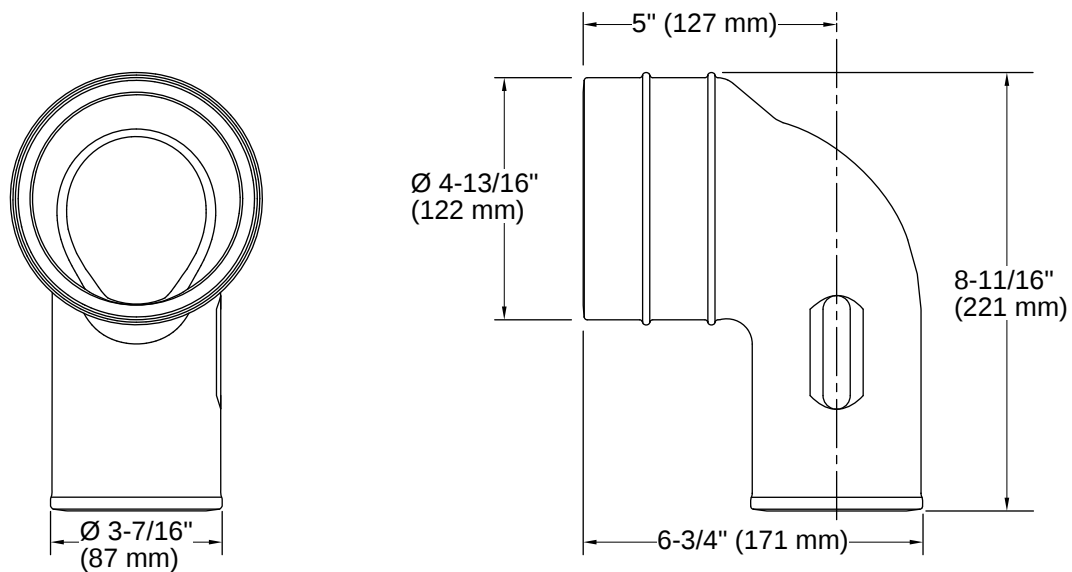
---

## Warranty

*See website for detailed warranty information.*

KOHLER® Lifetime Limited Warranty for Cast Iron Components





## Installation

- See installation guide and installation video for more detailed information

## Installation Notes

*Install this product according to the installation instructions.*

