

K-6284

2" x 6" in-wall tank and carrier system

Features

- Robust steel frame
- Insulated tank to prevent sweating
- Large flush actuator plate opening can be removed for easy access to inner tank
- Adjustable height allows bowl to be set anywhere between 15-3/8" - 28-1/2" (391 - 724 mm) from floor
- Dual-flush actuator offers a choice of 0.8 or 1.6 gpf (3.0 or 6.0 lpf)
- Dual-flush technology allows you to choose between a full or partial flush
- Works with select toilet bowls to create a complete solution
- Eligible for consumer rebates in some municipalities



Sustainability



Available Colors/Finishes

Color tiles intended for reference only.

NA NA Not Applicable



Codes/Standards

Plumbing codes may require elongated toilets and elongated, open-front seats in public bathrooms.



ASME A112.6.2

ASME A112.19.5/CSA B45.15

ASSE 1002/ASME A112.1002/CSA B125.12

EPA WaterSense®

Technical Information

Installation Type:	Wall-hung
Flush Rate:	0.8 or 1.6 gpf (3.0 or 6.0 lpf)

Pressure/Fixture Supply Requirements

Minimum Flowing Pressure:	15 psi (103.4 kPa)
Minimum Flow Rate:	1 gpm (3.8 l/min)

Recommended Products/Accessories

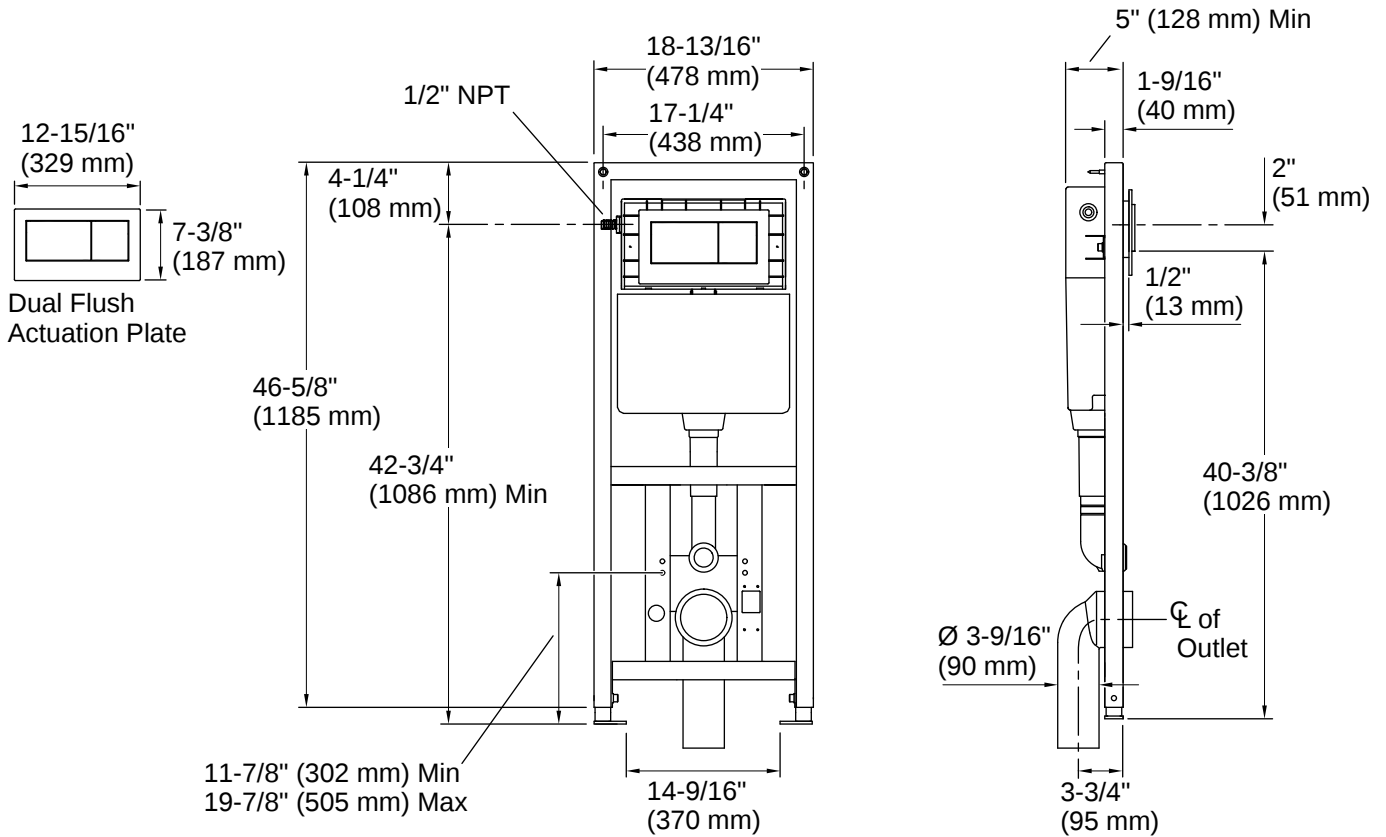
K-6291 2"x 6" wall-hung toilet cast iron waste pipe
K-31539 Wall-hung compact elongated toilet, dual-flush

Warranty

See website for detailed warranty information.

KOHLER® Toilets and Seats Limited Warranty





Installation

- Durable steel frame carrier is installed on 2" x 6" (51 x 152 mm) studs behind the wall. See installation guide and installation video for more detailed information
- When installed per Kohler installation instructions, the KOHLER in-wall tank and carrier system can support up to 500 lb (226.8 kg) without damage
- Supply line sold separately
- Requires electrical box kit when pairing bidet seat with bowl (sold separately)

Installation Notes

Install this product according to the installation instructions.

Installation requires 2x6 framing.
 Install the in-wall tank and carrier system in a wall opening 5-1/2" (140 mm) x 19" (483 mm) x 50" (1270 mm) minimum.
 Maximum inlet water temperature shall not exceed 80°F (26.7°C).

