

## Riverby® | K-5872-5UPC

25" undermount single-bowl workstation kitchen sink

### Features

- 27" (686 mm) minimum base cabinet width
- Single bowl
- 9" (229 mm) depth provides generous workspace
- Five oversized faucet holes
- Oversized holes allow for easy installation of faucets and accessories
- Bowl slopes toward drain to minimize water pooling
- Offset drain increases workspace in the sink and storage space underneath
- Small size fits compact spaces
- Included accessories: cutting board, drain board, colander / drying rack, soaking bin with drain, stainless steel bottom sink rack
- Drain board, colander / drying rack, soaking bin with drain, and bottom sink rack are dishwasher safe
- Sink drain with strainer sold separately



### Sustainability



## Codes/Standards

ASME A112.19.1/CSA B45.2

## Technical Information

*All product dimensions are nominal.*

Number of Deck Holes:	5
Faucet Hole(s) Size:	2-3/8" (60 mm)
Center(s):	8" (203 mm)
Drain Hole Diameter:	3-7/8" (98 mm)
Minimum Base Cabinet Width:	27" (686 mm)
Basin Configuration:	Single Bowl
Basin Length:	22-1/4" (565 mm)
Basin Width:	15-13/16" (402 mm)
Basin Depth:	9" (229 mm)

## Material

- KOHLER® enameled cast iron

## Recommended Products/Accessories

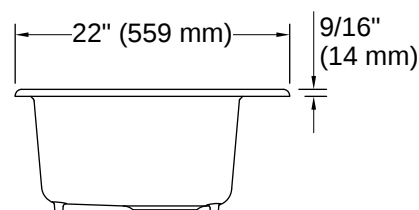
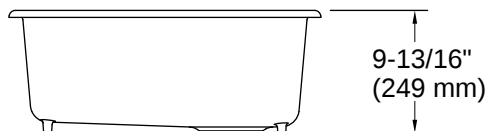
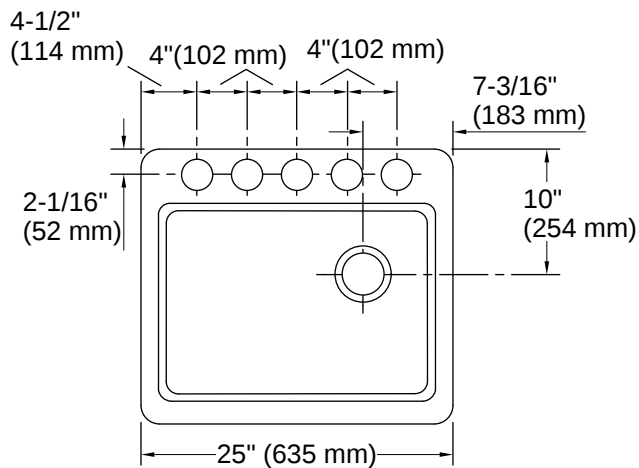
K-6238 Sink rack  
K-8801 Sink drain and strainer with tailpiece  
K-8799 Sink drain and strainer basket, less tailpiece  
K-6194 Utility rack with soaking cup  
K-11352 Disposal flange with stopper  
K-9000 Adjustable P-trap with tubing outlet, 1-1/2" x 1-1/2"  
K-23726 Drain treatment  
K-23725 Cast iron cleaner  
K-35007 Bifold multipurpose rack  
K-35002 Ice bucket holder  
K-35003 Workstation sink cover  
K-35004 HDPE cutting board  
K-35005 Marble serving tray  
K-35487 Three-piece ice bucket set  
K-35484 Three-piece workstation prep bowl set

## Warranty

*See website for detailed warranty information.*

KOHLER® Enameled Cast Iron Kitchen and Bathroom Sink Lifetime Limited Warranty





## Installation

- Undermount

## Installation Notes

*Install this product according to the installation instructions.*

NOTICE: Countertop manufacturer or cutter must use the cut-out template provided with the product, or a current one provided by Kohler Co. (call 1-800-4KOHLER). Kohler Co. is not responsible for cutout errors when the incorrect cut-out template is used

