

Riverby® | K-5872-3A1

25" top-mount single-bowl kitchen sink

Features

- 27" (686 mm) minimum base cabinet width
- Single bowl
- 9" (229 mm) depth provides generous workspace
- Three faucet holes
- Bowl slopes toward drain to minimize water pooling
- Offset drain increases workspace in the sink and storage space underneath
- Includes sink rack
- Small size fits compact spaces



Sustainability



Available Colors/Finishes

Color tiles intended for reference only.

- | | |
|----|----------------|
| 0 | White |
| FF | Sea Salt |
| 96 | Biscuit |
| 95 | Ice Grey |
| R1 | Roussillon Red |
| 7 | Black Black |



Codes/Standards

ASME A112.19.1/CSA B45.2

Technical Information

All product dimensions are nominal.

Number of Deck Holes:	3
Faucet Hole(s) Size:	1-3/8" (35 mm)
Drain Hole Diameter:	3-7/8" (98 mm)
Minimum Base Cabinet Width:	25" (635 mm)
Basin Configuration:	Single Bowl
Basin Length:	22-1/4" (565 mm)
Basin Width:	15-13/16" (402 mm)
Basin Depth:	9" (229 mm)

Material

- KOHLER® enameled cast iron

Recommended Products/Accessories

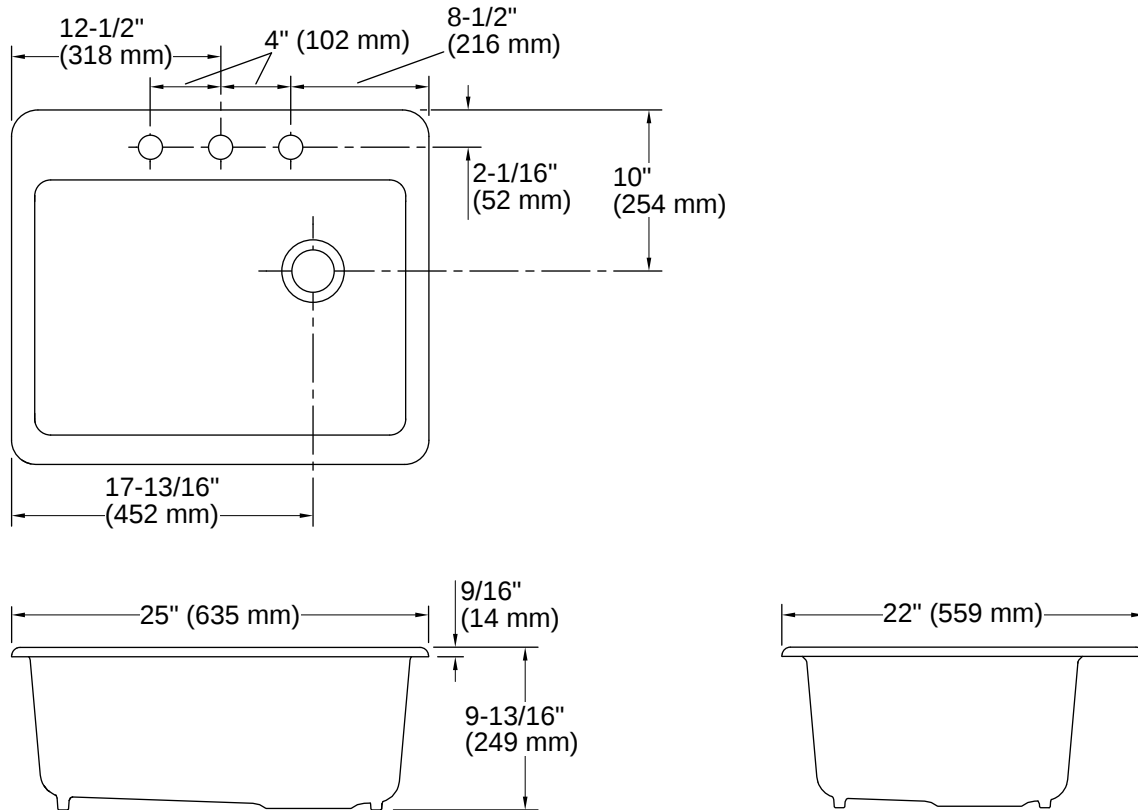
- 1411886 Undermount Kit 23"
- K-23726 Drain treatment
- K-23725 Cast iron cleaner
- K-8801 Sink drain and strainer with tailpiece
- K-8799 Sink drain and strainer basket, less tailpiece
- K-35000 Three-piece workstation sink accessory set
- K-35001 Maple wood cutting board
- K-35002 Ice bucket holder
- K-35003 Workstation sink cover
- K-35004 HDPE cutting board
- K-35005 Marble serving tray
- K-35007 Bifold multipurpose rack
- K-35487 Three-piece ice bucket set
- K-35484 Three-piece workstation prep bowl set

Warranty

See website for detailed warranty information.

KOHLER® Enameled Cast Iron Kitchen and Bathroom Sink Lifetime Limited Warranty





Installation

- Top-mount

Installation Notes

Install this product according to the installation instructions.

NOTICE: Countertop manufacturer or cutter must use the cut-out template provided with the product, or a current one provided by Kohler Co. (call 1-800-4-KOHLER). Kohler Co. is not responsible for cutout errors when the incorrect cut-out template is used.

IMPORTANT! Use of the colander, wood cutting board, and utility rack requires the "reveal" cutout option on the cutout template.

