



Riverby® | K-5871-3A1

33" top-mount single-bowl kitchen sink

Features

- 33" (838 mm) minimum base cabinet width
- Single bowl
- 9" (229 mm) depth provides generous workspace
- Three faucet holes
- Bowl slopes toward drain to minimize water pooling
- Offset drain increases workspace in the sink and storage space underneath
- Box includes: Sink, two sink racks, installation hardware, cutout template
- Sink drain with strainer sold separately



Sustainability



1-800-4KOHLER (1-800-456-4537)
Kohler Co. reserves the right to make revisions without notice to product specifications.
For the most current specification sheet, go to www.kohler.com USA or www.kohler.ca Canada.
4-15-2026 2:45 - US-CA

THE BOLD LOOK
OF **KOHLER**

Codes/Standards

ASME A112.19.1/CSA B45.2

Technical Information

All product dimensions are nominal.

Number of Deck Holes:	3
Faucet Hole(s) Size:	1-3/8" (35 mm)
Drain Hole Diameter:	3-7/8" (98 mm)
Minimum Base Cabinet Width:	33" (838 mm)
Basin Configuration:	Single Bowl
Basin Length:	30-1/4" (768 mm)
Basin Width:	15-13/16" (402 mm)
Basin Depth:	9" (229 mm)

Material

- KOHLER® enameled cast iron
- Acid-resistant enamel finish

Recommended Products/Accessories

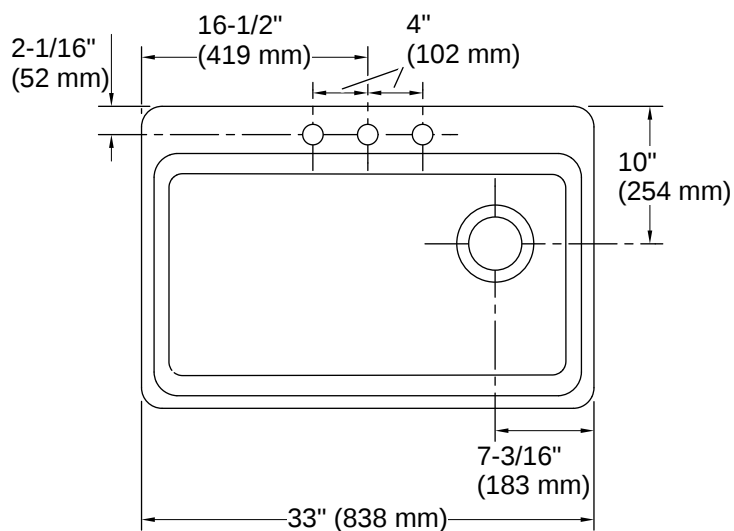
K-6237 Left-hand sink rack
K-6255 Right-hand sink rack
K-8801 Sink drain and strainer with tailpiece
K-8799 Sink drain and strainer basket, less tailpiece
K-23726 Drain treatment
K-23725 Cast iron cleaner
K-35007 Bifold multipurpose rack
K-35000 Three-piece workstation sink accessory set
K-35001 Maple wood cutting board
K-35002 Ice bucket holder
K-35003 Workstation sink cover
K-35004 HDPE cutting board
K-35005 Marble serving tray
K-35487 Three-piece ice bucket set
K-35484 Three-piece workstation prep bowl set

Warranty

See website for detailed warranty information.

KOHLER® Enameled Cast Iron Kitchen and Bathroom Sink Lifetime Limited Warranty





Installation

- Top-mount

Installation Notes

Install this product according to the installation instructions.

