

Underscore® | K-5717-W1

71-1/2" x 41-1/2" drop-in bath with Bask® heated surface

Features

- Bask® heated surface creates spa-like relaxation with soothing warmth on your back, shoulders, and neck
- Three heat settings allow you to customize the surface temperature
- Integral lumbar support
- Oval basin creates a spacious bathing experience
- Slotted overflow allows for deep soaking



Available Colors/Finishes

Color tiles intended for reference only.

- 0 White
- 96 Biscuit
- 95 Ice Grey
- 7 Black Black



Codes/Standards

CSA B45.5/IAPMO Z124
ASTM E162
ASTM E662
UL 1795
CSA C22.2 No. 218.2
cUL Listed
UL Listed

Technical Information

All product dimensions are nominal.

Drain Location:	Center
Drain Hole Diameter:	2-3/16" (56 mm)
Basin Area, Bottom:	46-5/16" x 31-3/16" (1177 mm x 792 mm)
Basin Area, Top:	63-7/16" x 34-1/4" (1611 mm x 869 mm)
Water Depth:	18-5/8" (472 mm)
Water Capacity:	112.2 gal (424.7 L)
Minimum Floor Load:	52.5 lbs/ft ²
Weight:	111 lbs (50.3 kg)

Material

- Acrylic

Recommended Products/Accessories

K-23726 Drain treatment
K-23732 Tub & shower cleaner
K-883 Undermount installation kit
K-886 Undermount kit for select 71-1/2" Underscore bath and whirlpool bath models

Required Products/Accessories

- K-7271 Slotted overflow brass bath drain
- or
- K-7272 Slotted overflow bath drain

Required Electrical Service

One circuit required, protected with Class A Ground-Fault Circuit-Interrupter (GFCI). Outside North America, this device may be known as a Residual Current Device (RCD).

Heated Surface: 120 V, 15 A

Electrical Component Ratings

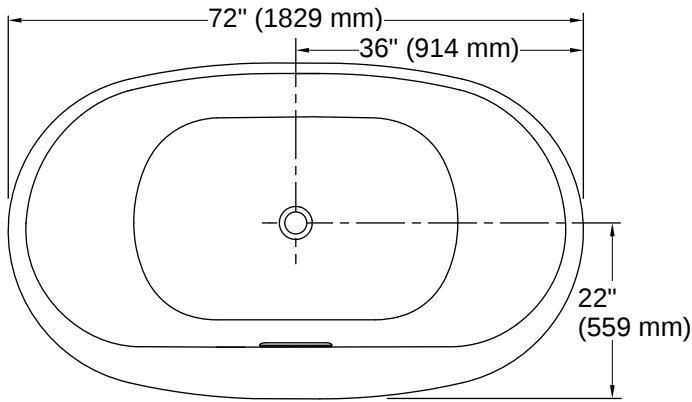
Heated Surface: 120 V, 0.5 A, 60 Hz, 65 W

Warranty

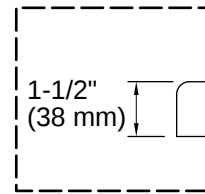
See website for detailed warranty information.

KOHLER® Plastic Baths and Shower Bases Lifetime Limited Warranty|KOHLER® Hydrotherapy Components Five-Year Limited Warranty

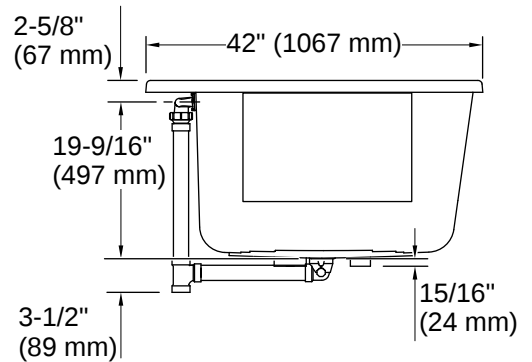
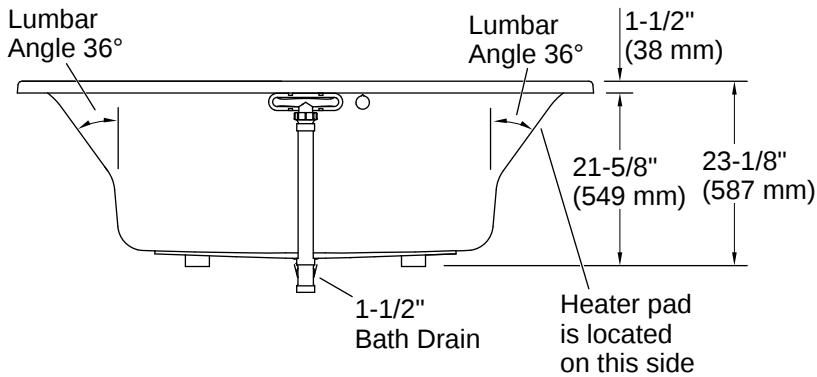




No change in measurements if connected with drain illustrated. (K-7272)



Drop-In Rim Detail



Installation

- Requires Clearflo slotted overflow bath drain (sold separately)
- Center drain
- Drop-in or undermount

Installation Notes

Install this product according to the installation instructions.

Measure your actual product for rough-in details.

The hot water supply should be 70% of the capacity of the bath or greater. Installations will vary.

If installing a rim-mount faucet, make sure there is no interference above or below the deck before drilling any holes.

