



# Underscore® | K-5713-W1

59-3/4" x 35-3/4" drop-in bath with Bask® heated surface

## Features

- Bask® heated surface creates spa-like relaxation with soothing warmth on your back, shoulders, and neck
- Three heat settings allow you to customize the surface temperature
- Integral lumbar support
- Oval basin creates a spacious bathing experience
- Slotted overflow allows for deep soaking



## Available Colors/Finishes

*Color tiles intended for reference only.*

- 0 White
- 96 Biscuit
- 95 Ice Grey
- 7 Black Black



1-800-4KOHLER (1-800-456-4537)  
Kohler Co. reserves the right to make revisions without notice to product specifications.  
For the most current specification sheet, go to [www.kohler.com](http://www.kohler.com) USA or [www.kohler.ca](http://www.kohler.ca) Canada.  
4-15-2026 3:22 - US-CA

THE BOLD LOOK  
OF **KOHLER**

## Codes/Standards

CSA B45.5/IAPMO Z124  
ASTM E162  
ASTM E662  
UL 1795  
CSA C22.2 No. 218.2  
cUL Listed  
UL Listed

## Technical Information

*All product dimensions are nominal.*

Drain Location:	Center
Drain Hole Diameter:	2-1/4" (57 mm)
Basin Area, Bottom:	43" x 25-5/8" (1093 mm x 651 mm)
Basin Area, Top:	55-9/16" x 28-3/8" (1411 mm x 720 mm)
Water Depth:	16-5/16" (415 mm)
Water Capacity:	72.017 gal (272.6 L)
Minimum Floor Load:	49.3 lbs/ft <sup>2</sup>
Weight:	91 lbs (41.3 kg)

## Material

- Acrylic

## Recommended Products/Accessories

K-23726 Drain treatment

K-23732 Tub & shower cleaner

K-814 Undermount kit for select 59-15/16" Underscore bath and whirlpool bath models

## Required Products/Accessories

- K-7271 Slotted overflow brass bath drain

or

- K-7272 Slotted overflow bath drain

## Required Electrical Service

One circuit required, protected with Class A Ground-Fault Circuit-Interrupter (GFCI). Outside North America, this device may be known as a Residual Current Device (RCD).

Heated Surface: 120 V, 15 A, 60 Hz

## Electrical Component Ratings

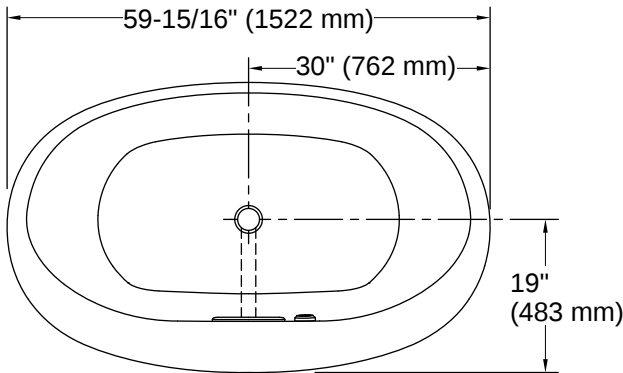
Heated Surface: 120 V, 1.1 A, 60 Hz, 65 W

## Warranty

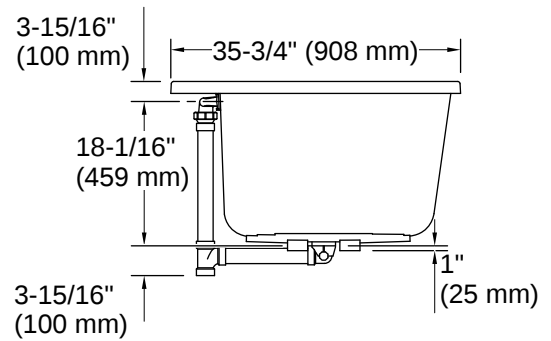
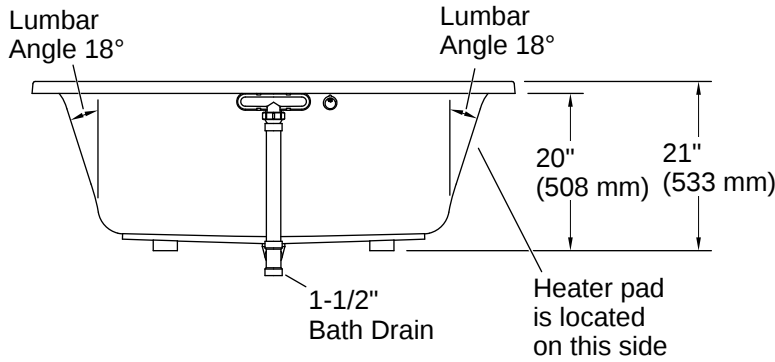
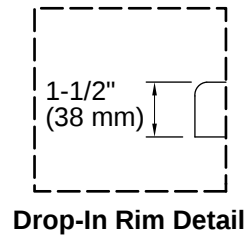
*See website for detailed warranty information.*

KOHLER® Plastic Baths and Shower Bases Lifetime Limited Warranty|KOHLER® Hydrotherapy Components Five-Year Limited Warranty





No change in measurements if connected with drain illustrated. (K-7272)



**Installation**

- Requires Clearflo slotted overflow bath drain (sold separately)
- Center drain
- Drop-in or undermount

**Installation Notes**

*Install this product according to the installation instructions.*

Measure your actual product for rough-in details.  
 The hot water supply should be 70% of the capacity of the bath or greater. Installations will vary.  
 Kit is required for under-mount installations (sold separately).  
 If installing a rim-mount faucet, make sure there is no interference above or below the deck before drilling any holes.

