



# Iron/Tones® | K-5708

27" top-/undermount single-bowl kitchen sink

## Features

- 30" (762 mm) minimum base cabinet width
- Single bowl
- 9" (229 mm) depth provides generous workspace



## Sustainability



## Available Colors/Finishes

*Color tiles intended for reference only.*

- |     |             |
|-----|-------------|
| 0   | White       |
| FF  | Sea Salt    |
| 96  | Biscuit     |
| NY  | Dune        |
| 95  | Ice Grey    |
| 7   | Black Black |
| TRF | Truffle     |
| 17  | Teal        |
| 34  | Fresh Green |
| 42  | Aspen Green |



1-800-4KOHLER (1-800-456-4537)  
Kohler Co. reserves the right to make revisions without notice to product specifications.  
For the most current specification sheet, go to [www.kohler.com](http://www.kohler.com) USA or [www.kohler.ca](http://www.kohler.ca) Canada.  
4-15-2026 5:14 - US-CA

THE BOLD LOOK  
OF **KOHLER**

---

## Codes/Standards

ASME A112.19.1/CSA B45.2

---

## Technical Information

*All product dimensions are nominal.*

Drain Hole Diameter:	3-7/8" (98 mm)
Minimum Base Cabinet Width:	30" (762 mm)
Basin Configuration:	Single Bowl
Basin Length:	24-5/16" (617 mm)
Basin Width:	16-1/16" (408 mm)
Basin Depth:	9" (229 mm)

---

## Material

- KOHLER® enameled cast iron
- 

## Recommended Products/Accessories

1411886 Undermount Kit 23"

K-23726 Drain treatment

K-23725 Cast iron cleaner

K-8801 Sink drain and strainer with tailpiece

K-8799 Sink drain and strainer basket, less tailpiece

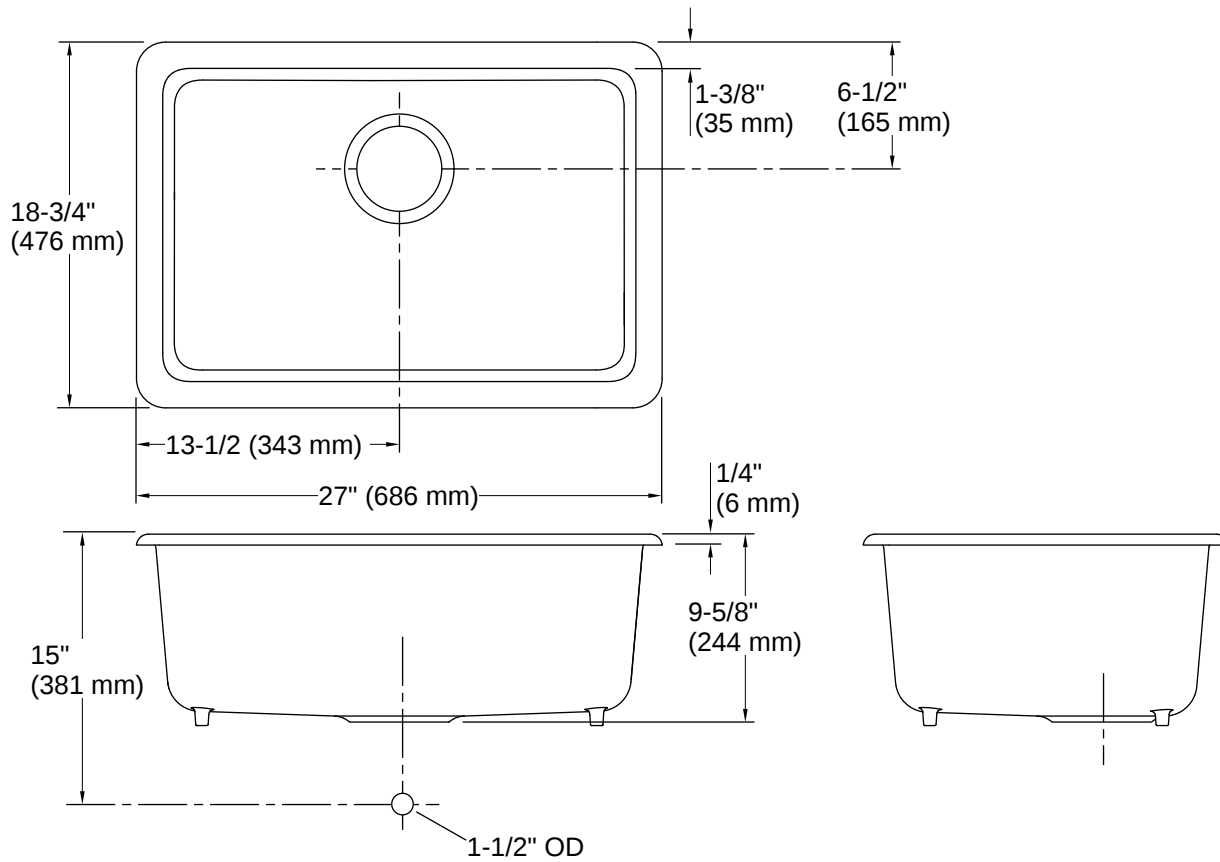
---

## Warranty

*See website for detailed warranty information.*

KOHLER® Enameled Cast Iron Kitchen and Bathroom Sink Lifetime Limited Warranty





## Installation

- Top-mount or undermount

## Installation Notes

*Install this product according to the installation instructions.*

Countertop manufacturer or cutter must use the cut-out template provided with the product, or a current one provided by Kohler Co. (call 1-800-43-FOCUS). Kohler Co. is not responsible for cut-out errors when the incorrect cut-out template is used.

