



# Embark™ | K-56550

Premium XL 15" x 36" rectangular medicine cabinet

## Features

- 4" (102 mm) -deep shelves offer more room for larger jars, bottles, and grooming supplies
- Three adjustable tempered-glass shelves offer additional bathroom storage
- Full-overlay mirrored door with flat edges
- Mirrored interior
- Three-way adjustable soft-close hinges with 105° opening capability for easy cabinet access
- Easy-hang bracket mounts cabinet securely and simplifies surface-mount applications
- Includes side mirror kit for surface-mount installation



## Available Colors/Finishes

*Color tiles intended for reference only.*

<sup>NA</sup> NA Not Applicable



1-800-4KOHLER (1-800-456-4537)  
Kohler Co. reserves the right to make revisions without notice to product specifications.  
For the most current specification sheet, go to [www.kohler.com](http://www.kohler.com) USA or [www.kohler.ca](http://www.kohler.ca) Canada.  
4-15-2026 6:51 - US-CA

THE BOLD LOOK  
OF **KOHLER**

---

## Codes/Standards

*None Applicable*

---

## Technical Information

*All product dimensions are nominal.*

Lighting Included: No  
Mirror Type: Polished Edge

Cutout  
Depth: 5" (127 mm)

---

## Material

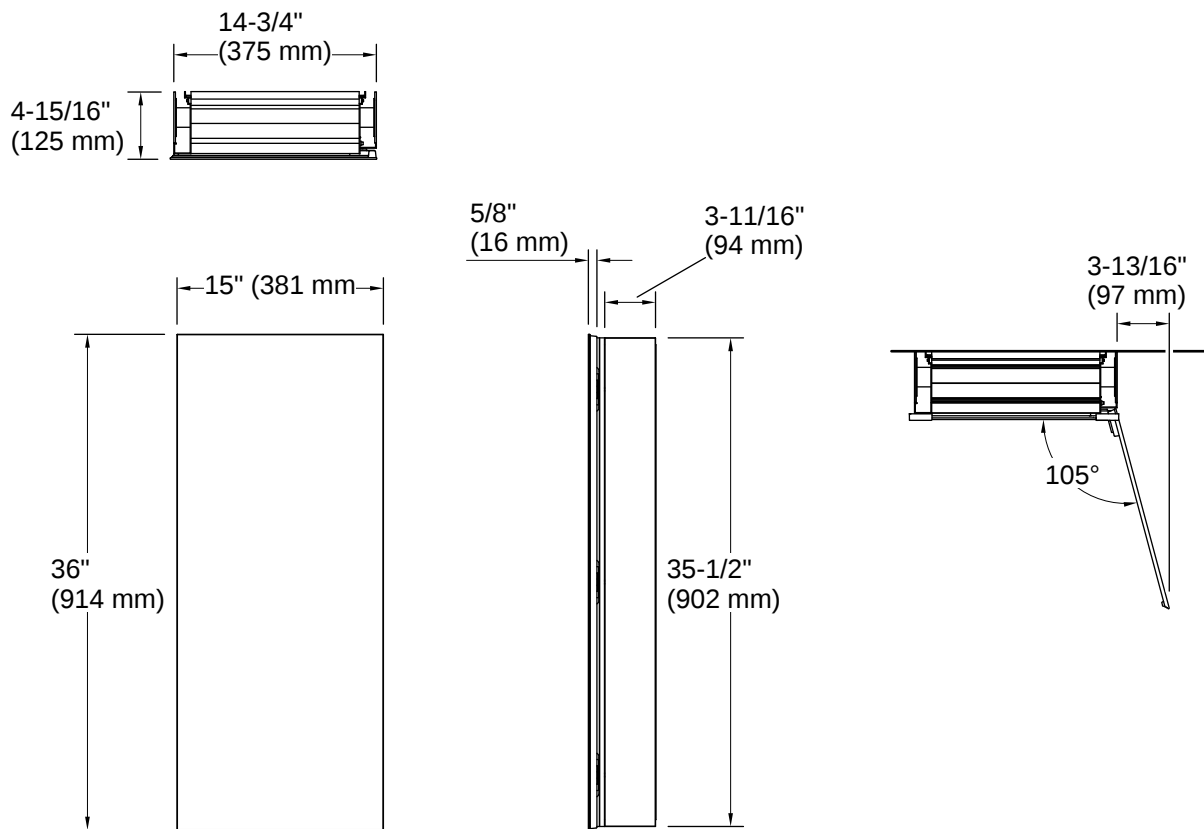
- Anodized aluminum construction with a durable rustproof and chip-resistant finish
- 

## Warranty

*See website for detailed warranty information.*

KOHLER® One-Year Limited Warranty





## Installation

- Surface-mount or recessed
- Can be installed with left- or right-hand swing
- Includes mounting hardware for surface or recessed installation

## Installation Notes

*Install this product according to the installation instructions.*

