



# DTV+™ | K-557-K1

Three-port digital thermostatic valve

## Features

- Digitally controlled thermostatic mixing valve
- Antiscald protection
- Three independently controllable 1/2" (13 mm) outlets with copper tube connections
- Up to 13 gpm (49.2 lpm) flow rate at 45 psi (3.1 bar) with maximum flow of 8 gpm (30.3 lpm) from one outlet
- 1/2" (13 mm) inlets with copper tube connections
- High-temperature limit setting for additional protection



1-800-4KOHLER (1-800-456-4537)  
Kohler Co. reserves the right to make revisions without notice to product specifications.  
For the most current specification sheet, go to [www.kohler.com](http://www.kohler.com) USA or [www.kohler.ca](http://www.kohler.ca) Canada.  
4-15-2026 6:0 - US-CA

THE BOLD LOOK  
OF **KOHLER**®

---

## Codes/Standards

ASME A112.18.1/CSA B125.1  
ASSE 1016/ASME A112.1016/CSA B125.16  
UL Listed

---

## Valves

Included Valves: Digital, Thermostatic Mixer

### Shower Valve

Flow Rate Maximum @ 45 psi: 13 gpm (49.2 l/min)

Pressure: 45 psi (3.1 bar)

---

## Material

- Reinforced engineering-grade thermoplastic body
- 

## Required Electrical Service

One circuit required.

Thermostatic valve: 120 V, 15 A, 60 Hz

## Electrical Component Ratings

Thermostatic valve: 120 V, 0.31 A, 60 Hz

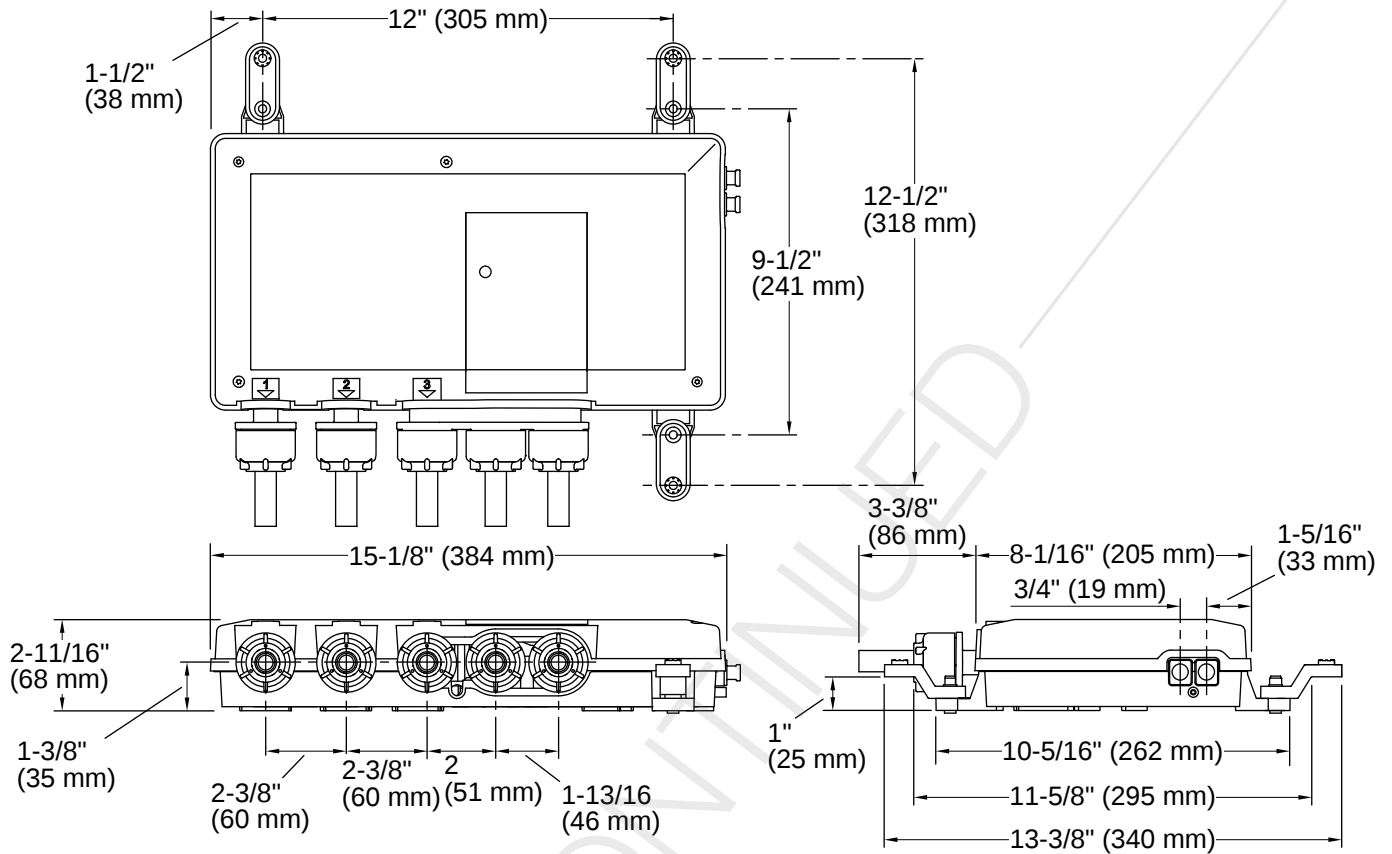
---

## Warranty

*See website for detailed warranty information.*

KOHLER® Electronic Faucets, Valves, and Controls Five-Year Limited  
Warranty





## Installation

- Mounts within standard 2" x 4" (38 x 102 mm) walls
- Prewired with three-prong plug for connection to 110 V AC receptacle

## Installation Notes

*Install this product according to the installation instructions.*

For use with showerheads or handsprays rated at 0 gal/min (0 l/min) or higher.

If used for bath-shower system, the bath spout must be connected to the #1 outlet port and restricted to 10 gal/min (37.9 l/min) maximum. Provide access for servicing valve.

Use 1/2" supply lines.

Do not install this valve in walls exposed to subfreezing temperatures. Avoid mounting the valve in a wall adjacent to a frequently occupied room, such as a bedroom or living room.

Pressure regulators are strongly recommended in applications where large pressure swings are anticipated or pressure differences between the supplies exist, such as commercial installations with separate hot and cold supply systems.

Water hammer arrestors and shut-offs are required in both the hot and cold supplies.

A 1/2" cap must be installed on any unused outlet.

