

Invigoration® Series | K-5549-K1

Tandem digital steam adapter kit

Features

- Allows KOHLER® Invigoration® steam generator to be controlled via the DTV+™ and Anthem+™ digital showering systems
- For use with Kohler Invigoration® Steam Generators between 18 and 30 kilowatts
- Adjustable temperature settings between 90°F and 125°F
- Aromatherapy reservoir on steam heads
- Includes two steam heads, temperature sensor, and adapter
- Circular steam head design allows steam to be evenly dispensed throughout shower
- 20-minute safety shutoff
- Quick-connect RJ-12 cord and connector for simplified installation and service
- Not compatible with other manufacturers' steam generators
- Requires Anthem+ controller module, Anthem+ digital control, and tandem generator set, or DTV+ controller module, DTV+ digital interface, and tandem generator set



Available Colors/Finishes

Color tiles intended for reference only.

- CP Polished Chrome
- SN Vibrant Polished Nickel
- AF Vibrant French Gold
- BN Vibrant Brushed Nickel
- BV Vibrant Brushed Bronze
- BL Matte Black
- 2MB Vibrant Brushed Moderne Brass
- TT Vibrant Titanium
- BGP Vibrant Brushed Graphite



1-800-4KOHLER (1-800-456-4537)

Kohler Co. reserves the right to make revisions without notice to product specifications.
For the most current specification sheet, go to www.kohler.com USA or www.kohler.ca Canada.
4-15-2026 2:0 - US-CA

Codes/Standards

None Applicable

Valves

Required Valves: Digital, Thermostatic

Material

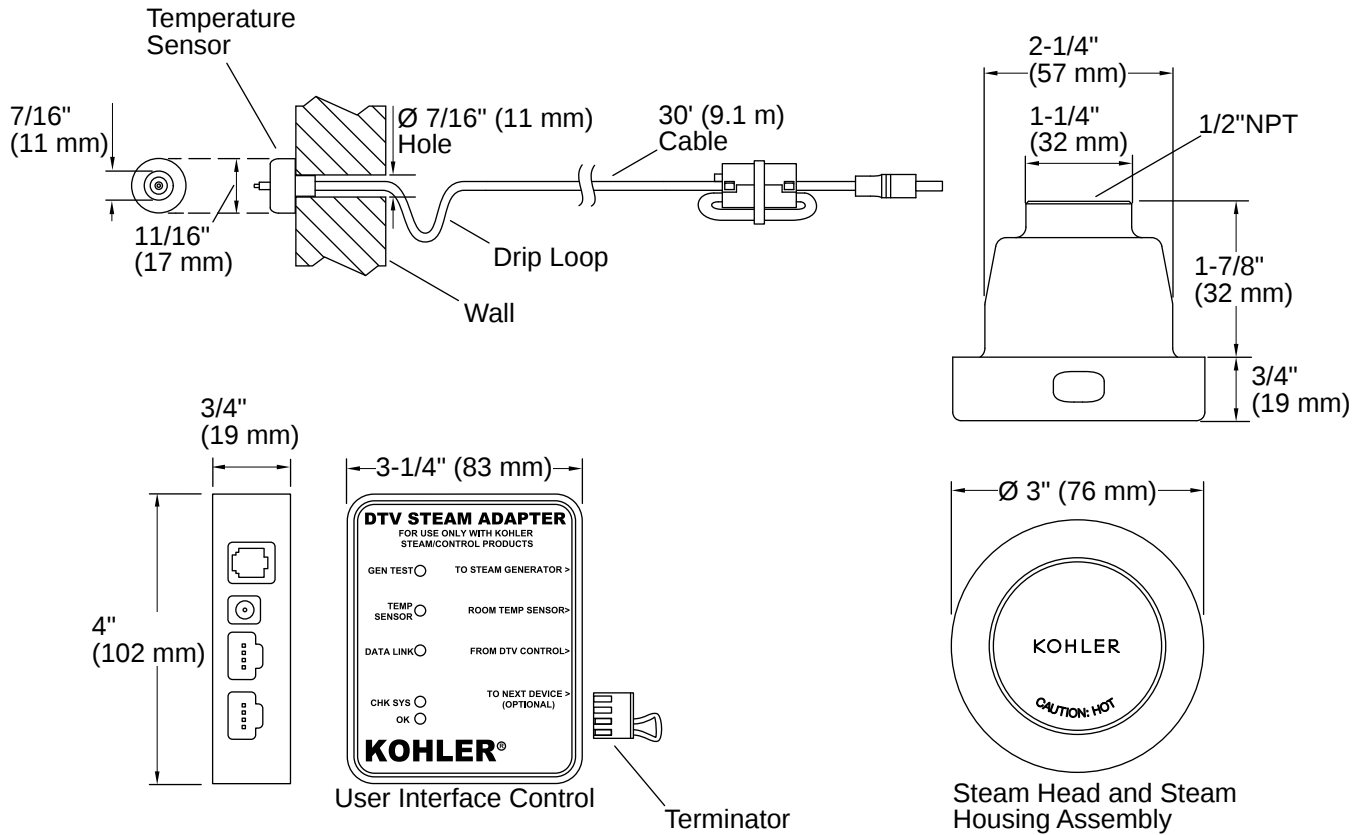
- KOHLER finishes resist corrosion and tarnishing
-

Warranty

See website for detailed warranty information.

KOHLER® Electronic Faucets, Valves, and Controls Five-Year Limited Warranty





Installation Notes

Install this product according to the installation instructions.

CAUTION: Risk of scalding. Do not locate the steam head near a seat or bench, as the steam head is hot during operation and may scald the user if touched.

The temperature sensor should be mounted on the wall opposite the steam head. The steam head should be located as far from the seating area as possible.

Locate the steam head 6" (152 mm) above the floor and at least 4- $\frac{1}{2}$ " (114 mm) from the threshold.

