

Embark™ | K-55065

Slim 35" x 26" rectangular two-door medicine cabinet

Features

- Two adjustable tempered-glass shelves offer additional bathroom storage
- Two full-overlay mirrored doors with flat edges
- Three-way adjustable hinges with 105° opening capability for easy cabinet access
- Easy-hang bracket mounts cabinet securely and simplifies surface-mount applications
- Includes side mirror kit for surface-mount installation



Available Colors/Finishes

Color tiles intended for reference only.

^{NA} NA Not Applicable



Codes/Standards

None Applicable

Technical Information

All product dimensions are nominal.

Lighting Included: No
Mirror Type: Polished Edge

Cutout
Depth: 4" (102 mm)

Material

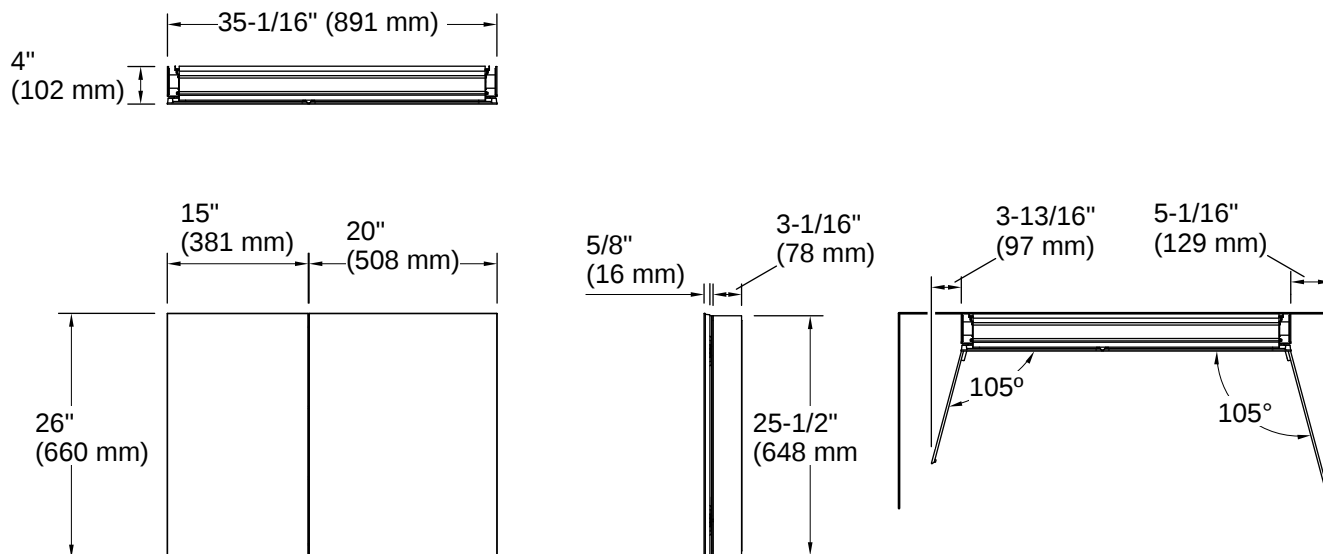
- Anodized aluminum construction with a durable rustproof and chip-resistant finish
-

Warranty

See website for detailed warranty information.

KOHLER® One-Year Limited Warranty





Installation

- Surface-mount or recessed
- Can be installed with left- or right-hand swing
- Includes mounting hardware for surface or recessed installation

Installation Notes

Install this product according to the installation instructions.

