



Strive® | K-5409

29" undermount single-bowl kitchen sink

Features

- 30" (762 mm) minimum base cabinet width
- Single bowl
- 9" (229 mm) depth provides generous workspace
- Rear drain increases workspace in the sink and allows for more storage space underneath the sink
- Box includes: Sink, sink rack, installation hardware, cutout template
- Includes installation hardware
- Rounded 10mm corners are easy to clean



Sustainability



Available Colors/Finishes

Color tiles intended for reference only.

NA Stainless Steel



1-800-4KOHLER (1-800-456-4537)
Kohler Co. reserves the right to make revisions without notice to product specifications.
For the most current specification sheet, go to www.kohler.com USA or www.kohler.ca Canada.
4-15-2026 4:36 - US-CA

THE BOLD LOOK
OF **KOHLER**

Codes/Standards

ASME A112.19.3/CSA B45.4

Technical Information

All product dimensions are nominal.

Drain Hole Diameter:	3-3/4" (95 mm)
Minimum Base Cabinet Width:	33" (838 mm)
Basin Configuration:	Single Bowl
Basin Length:	27-1/4" (692 mm)
Basin Width:	16-9/16" (420 mm)
Basin Depth:	9" (229 mm)

Material

- Premium 16-gauge stainless steel
-

Recommended Products/Accessories

K-23729 Stainless steel cleaner

K-23726 Drain treatment

K-8801 Sink drain and strainer with tailpiece

K-8799 Sink drain and strainer basket, less tailpiece

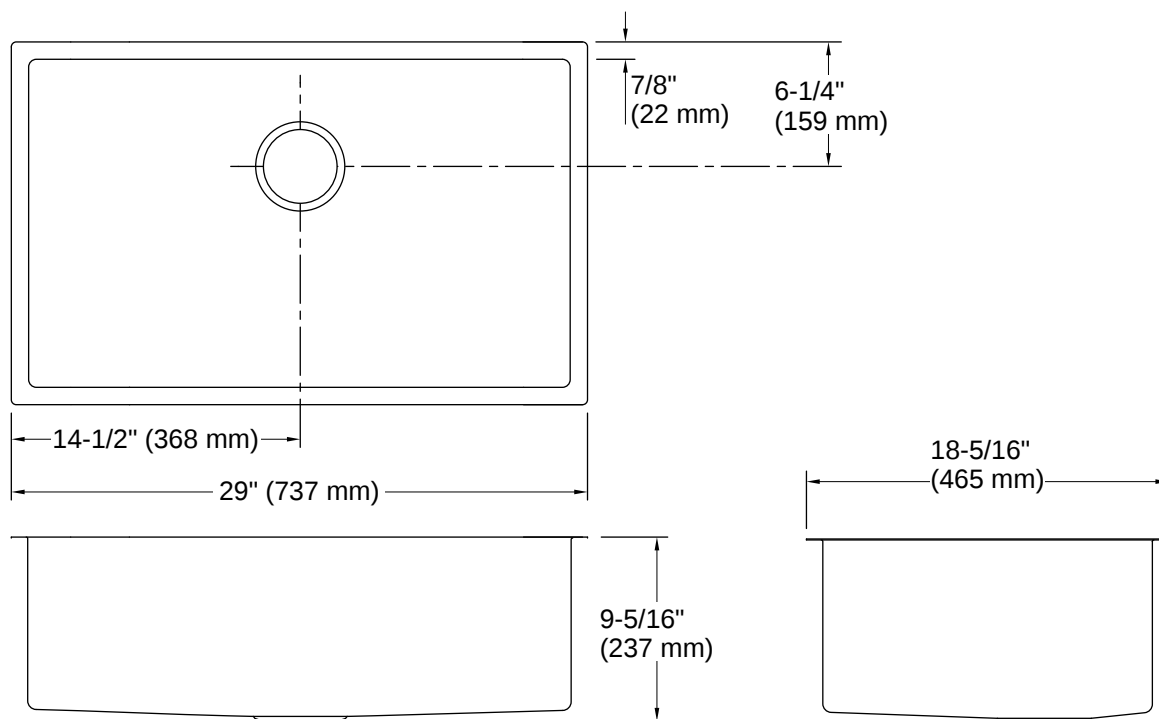
Warranty

See website for detailed warranty information.

KOHLER® Stainless Steel Sinks Lifetime Limited Warranty



1-800-4KOHLER (1-800-456-4537)
Kohler Co. reserves the right to make revisions without notice to product specifications.
For the most current specification sheet, go to www.kohler.com USA or www.kohler.ca Canada.
4-15-2026 4:36 - US-CA



Installation

- Undermount

Installation Notes

Install this product according to the installation instructions.

Minimum base cabinet width 30" - 33" (30" may require cabinet modifications). Consult an installer for confirmation.

