

Veil® | K-5402

One-piece elongated smart toilet, dual-flush

Features

- One-piece wall-hung toilet with integrated cleansing functionality
- Elongated bowl offers added room and comfort
- Mounting hardware is completely concealed for sleek looks and easy cleaning
- Dual flush offers a choice of 0.8 or 1.6 gpf (3.0 or 6.0 lpf)
- Stainless steel wand offers adjustable spray shape, position, water pressure, temperature, pulsate, and oscillate functions
- Front and rear wash modes provide warm water for cleansing
- Self-cleaning function uses UV light and electrolyzed water systems to automatically clean the wand surfaces
- Warm-air drying system with adjustable temperature settings
- Automatic deodorization system
- Heated seat with adjustable temperature settings
- Motion-activated, hands-free opening/closing of cover
- Automatically flushes toilet after use
- LED lighting illuminates the bowl to serve as a nightlight
- English-language touch-screen LCD remote control
- Touchless actuator plate in Honed White
- Dual-flush technology allows you to choose between a full or partial flush
- Includes complete toilet and seat, in-wall tank and carrier, actuator plate, and LCD remote control



Sustainability



Available Colors/Finishes

Color tiles intended for reference only.

■ 0 White



1-800-4KOHLER (1-800-456-4537)

Kohler Co. reserves the right to make revisions without notice to product specifications.
For the most current specification sheet, go to www.kohler.com USA or www.kohler.ca Canada.
4-15-2026 4:36 - US-CA

Codes/Standards

ADA, OBC, CSA B651 compliant when installed to the specific requirements of these regulations.
Accessibility standards may require controls to be located on the open side of the toilet.
Plumbing codes may require elongated toilets and elongated, open-front seats in public bathrooms.



ASME A112.4.2/CSA B45.16
ASME A112.6.2
ASME A112.19.2/CSA B45.1
ASME A112.19.14
DOE - Energy Policy Act 1992
EPA WaterSense®
California Energy Commission (CEC)
UL 1951
CSA C22.2 No. 14
CSA C22.2 No. 68
ADA
ICC/ANSI A117.1
CSA B651
OBC
cUL Listed
UL Listed

Technical Information

Rough-in:	Standard 12" (305mm)
Flush Type:	Class Five
Flush Rate:	0.8 or 1.6 gpf (3 or 6 lpf)
Bowl Shape:	Elongated
Seat-Mounting Holes:	5-1/2" (140 mm)
Waste Outlet:	Wall
Trapway Size:	2-9/16" (65 mm)
Trapway Type:	Skirted
Rim to Water Surface:	8-5/16" (211 mm)

Included Combo Skus

- K-76395 Wall-hung compact elongated smart toilet bowl, dual-flush
- K-18647 In-wall tank and carrier for K-76395 Veil® wall-hung smart toilet

Recommended Products/Accessories

K-23726 Drain treatment

Required Electrical Service

One dedicated circuit required.

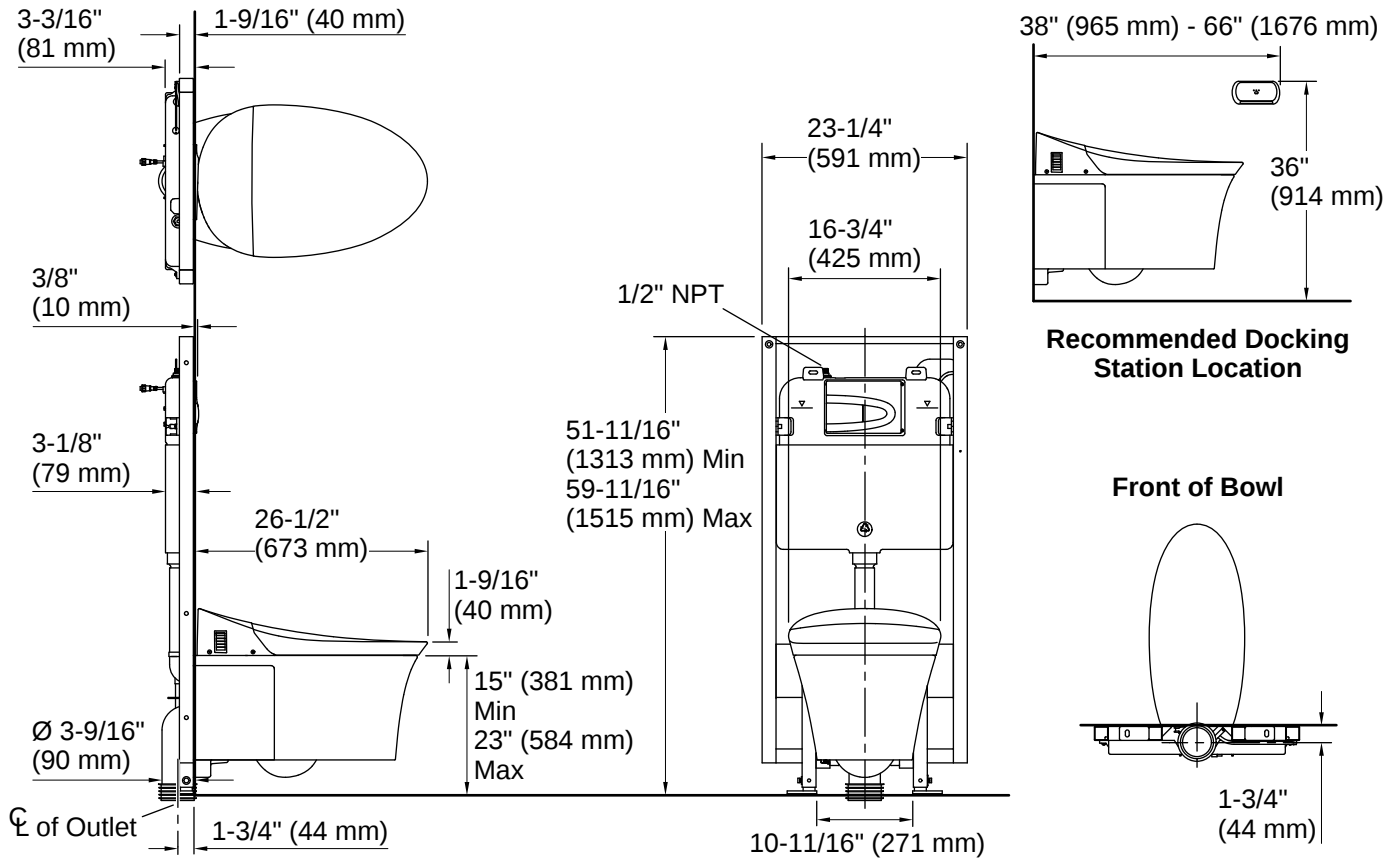
120 V, 15 A, 60 Hz

Warranty

See website for detailed warranty information.

KOHLER® Intelligent Toilet and C3® Cleansing Seat Three-Year Limited Warranty





Installation

- See installation guide and installation video for more detailed information
- This product is not designed or intended for bariatric use

Installation Notes

Install this product according to the installation instructions.

Requires 2x4 or 2x6 stud construction.

Refer to manufacturer's instructions and local codes for flush valve requirements.

In-wall tank and carrier system install in wall opening 3-3/16" (81 mm) x 23-1/4" (591 mm) x 51-11/16" (1313 mm) minimum.

Maximum inlet water temperature shall not exceed 80°F (26.7°C). Product dimensions are nominal and may vary per ASME A112.19.2 tolerances.

ADA, OBC, CSA B651 compliant when installed to the specific requirements of these regulations.

Plumbing codes may require elongated toilets and elongated, open-front seats in public bathrooms.

Accessibility standards may require controls to be located on the open side of the toilet.

