



Iron Plains® | K-5400-PAG

18-1/2" rectangular vessel bathroom sink

Features

- Rectangular basin
- No faucet holes; requires wall- or counter-mount faucet
- With overflow
- Enameled Aspen Green interior and painted Aspen Green underside



Sustainability



Available Colors/Finishes

Color tiles intended for reference only.

- PAG-42 Aspen Exterior with Aspen Interior



1-800-4KOHLER (1-800-456-4537)
Kohler Co. reserves the right to make revisions without notice to product specifications.
For the most current specification sheet, go to www.kohler.com USA or www.kohler.ca Canada.
4-15-2026 2:42 - US-CA

THE BOLD LOOK
OF **KOHLER**

Codes/Standards

ADA, CSA B651 compliant when installed to the specific requirements of these regulations.

ADA CSA B651

ASME A112.19.1/CSA B45.2

ADA

ICC/ANSI A117.1

CSA B651

Technical Information

With Overflow:	Yes
Drain Hole Diameter:	1-3/4" (45 mm)
Basin Configuration:	Single Bowl
Basin Length:	17-1/2" (445 mm)
Basin Width:	14-3/4" (375 mm)
Basin Depth:	4-9/16" (116 mm)

Material

- KOHLER® enameled cast iron
- Acid-resistant enamel finish

Recommended Products/Accessories

K-23726 Drain treatment

K-23725 Cast iron cleaner

Warranty

See website for detailed warranty information.

KOHLER® Enameled Cast Iron Kitchen and Bathroom Sink Lifetime Limited Warranty

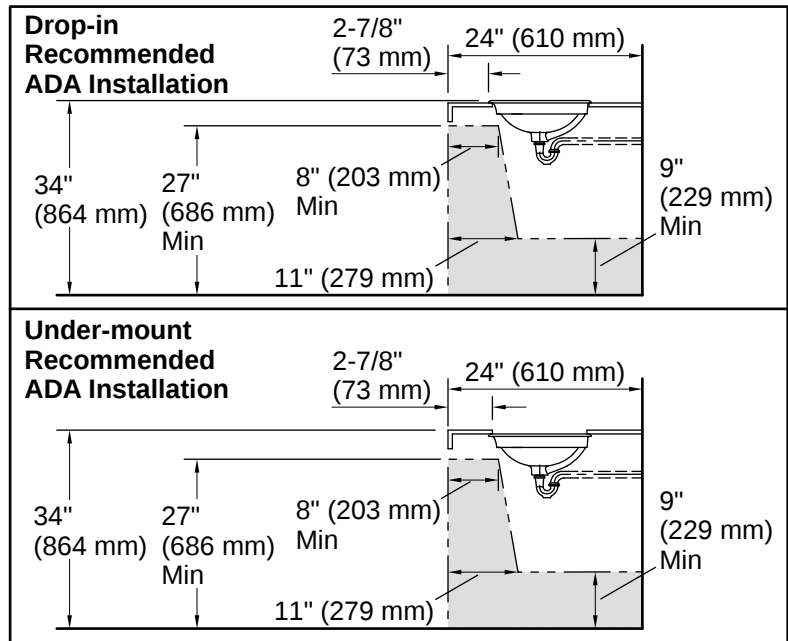
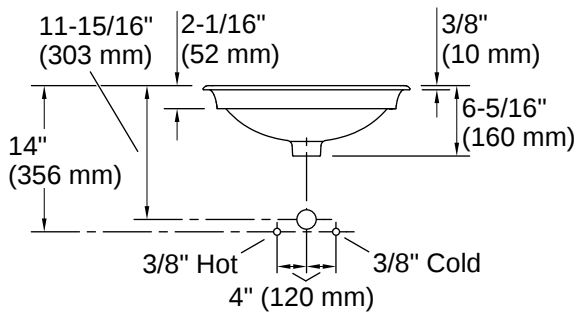
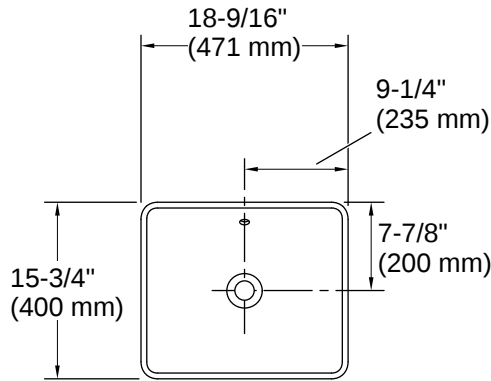


1-800-4KOHLER (1-800-456-4537)

Kohler Co. reserves the right to make revisions without notice to product specifications.

For the most current specification sheet, go to www.kohler.com USA or www.kohler.ca Canada.

4-15-2026 2:42 - US-CA



Installation

- Vessel

Installation Notes

Install this product according to the installation instructions.

NOTICE: Countertop manufacturer or cutter must use the cut-out template provided with the product, or a current one provided by Kohler Co. (call 1-800-4KOHLER). Kohler Co. is not responsible for cutout errors when the incorrect cut-out template is used.

ADA, CSA B651 compliant when installed to the specific requirements of these regulations.

