



Triton® Bowe® | K-521T21-4AEA

Shelf-back bathroom sink faucet

Features

- 5-1/2 (140 mm) centers
- 1/4-turn full brass ceramic valve
- 2.0 gpm (7.6 lpm) maximum flow rate at 60 psi (4.14 bar)
- Vandal-resistant aerator
- 2-7/16" vandal-resistant metal lever handles
- Includes pop-up drain with lift rod and tailpiece



Available Colors/Finishes

Color tiles intended for reference only.

CP Polished Chrome



1-800-4KOHLER (1-800-456-4537)
Kohler Co. reserves the right to make revisions without notice to product specifications.
For the most current specification sheet, go to www.kohler.com USA or www.kohler.ca Canada.
4-15-2026 4:2 - US-CA

THE BOLD LOOK
OF **KOHLER**

Codes/Standards

ADA, OBC, CSA B651 compliant when installed to the specific requirements of these regulations.

ADA CSA B651 OBC

ASME A112.18.1/CSA B125.1
NSF/ANSI/CAN 372
NSF/ANSI/CAN 61
DOE - Energy Policy Act 1992
NSF/ANSI/CAN 61|NSF/ANSI/CAN 372
ADA
ICC/ANSI A117.1
CSA B651
OBC

Technical Information

All product dimensions are nominal.

Handle

Handle Style/ Type: Lever

Spout

Spout Reach: 1-1/4" (32 mm)

Flow Rate

Faucet Flow Rate: 2 gpm (7.6 l/min)

Valves

Included Valves: Ceramic disc, Volume Control

Material

- Solid-brass construction with thick chrome plating for rough commercial applications
-

Recommended Products/Accessories

K-23726 Drain treatment

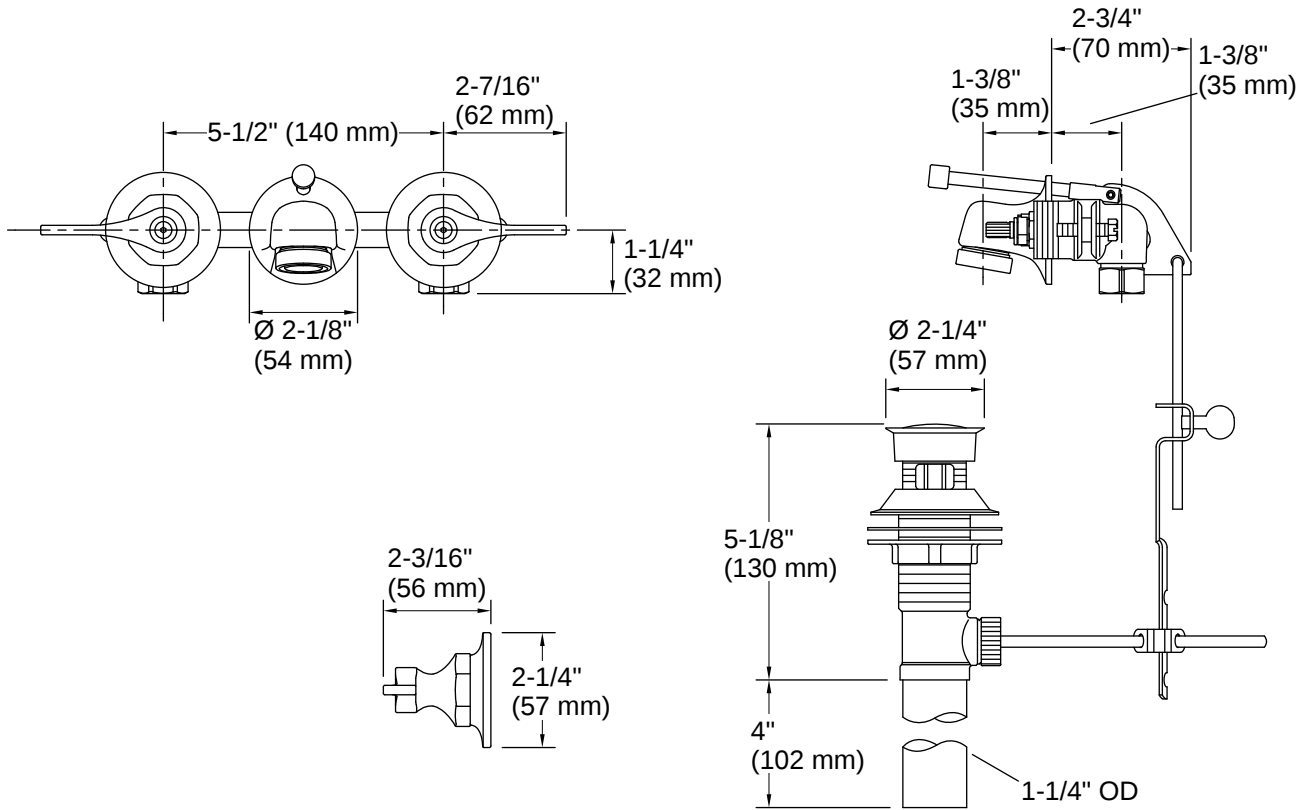
K-23723 Faucet cleaner

Warranty

See website for detailed warranty information.

KOHLER® One-Year Limited Warranty





Installation

- Includes yoke for shelf-back installation

Installation Notes

Install this product according to the installation instructions.

ADA compliant for handles only.

ADA, OBC, CSA B651 compliant when installed to the specific requirements of these regulations.



1-800-4KOHLER (1-800-456-4537)

Kohler Co. reserves the right to make revisions without notice to product specifications.

For the most current specification sheet, go to www.kohler.com USA or www.kohler.ca Canada.

4-15-2026 4:2 - US-CA