



Mach Flex™ | K-51TH00T10

Touchless toilet flushometer, Cortex™-compatible, DC-powered, dual-flush

Features

- Chloramine and chlorine resistance on all rubber components exposed to waterway
- 125-micron filter protects internal components
- Locking stop cap provides protection against vandalism
- Adjustable automatic sentinel flush keeps trapway fresh while saving water
- Mechanical override enables flushometer to be used manually even during a power outage
- Powered by long-lasting energy cell to eliminate frequent battery replacement
- Patented piston technology for superior flush volume accuracy



Sustainability



Available Colors/Finishes

Color tiles intended for reference only.

- CP Polished Chrome



1-800-4KOHLER (1-800-456-4537)
Kohler Co. reserves the right to make revisions without notice to product specifications.
For the most current specification sheet, go to www.kohler.com USA or www.kohler.ca Canada.
4-15-2026 6:45 - US-CA

THE BOLD LOOK
OF **KOHLER**®

Codes/Standards

ADA, OBC, CSA B651 compliant when installed to the specific requirements of these regulations.

ADA CSA B651 OBC

ASSE 1037/ASME A112.1037/CSA B125.37

ADA

ICC/ANSI A117.1

CSA B651

OBC

Pressure/Fixture Supply Requirements

Minimum Flowing Pressure: 25 psi (172.4 kPa)

Minimum Flow Rate: 25 gpm (94.6 l/min)

Material

- Durable brass construction

Recommended Products/Accessories

K-23723 Faucet cleaner

1421939 Extension Kit

1509698 Assembly, Fv Pressure Gauge, 1/8"

Technology

- Dual-flush zone timing detects user proximity and defaults to 1.0 gpf (3.8 lpf) for detection under 60 seconds and 1.6 gpf (6.0 lpf) for detection over 60 seconds. Feature can be adjusted up to 120 seconds or disabled entirely by approved tech professionals using Cortex™ mobile app. If disabled, flush valve will deliver 1.6 gpf (6.0 lpf) with every activation
- Flex sensing technology provides accurate activation and flexible adjustability of several different parameters by approved tech professionals using Cortex™ mobile app or Cortex-connected ecosystem
- Connects wirelessly to KOHLER® commercial connected systems (sold separately), or by approved tech professionals to Cortex™ mobile app for individual adjustment. Please contact info@kohlercortex.com for more information

Connectivity



The BLUETOOTH® word mark and logos are registered trademarks owned by Bluetooth SIG, Inc. and any use of such marks by Kohler Co. is under license.

Warranty

See website for detailed warranty information.

KOHLER® One-Year Limited Warranty

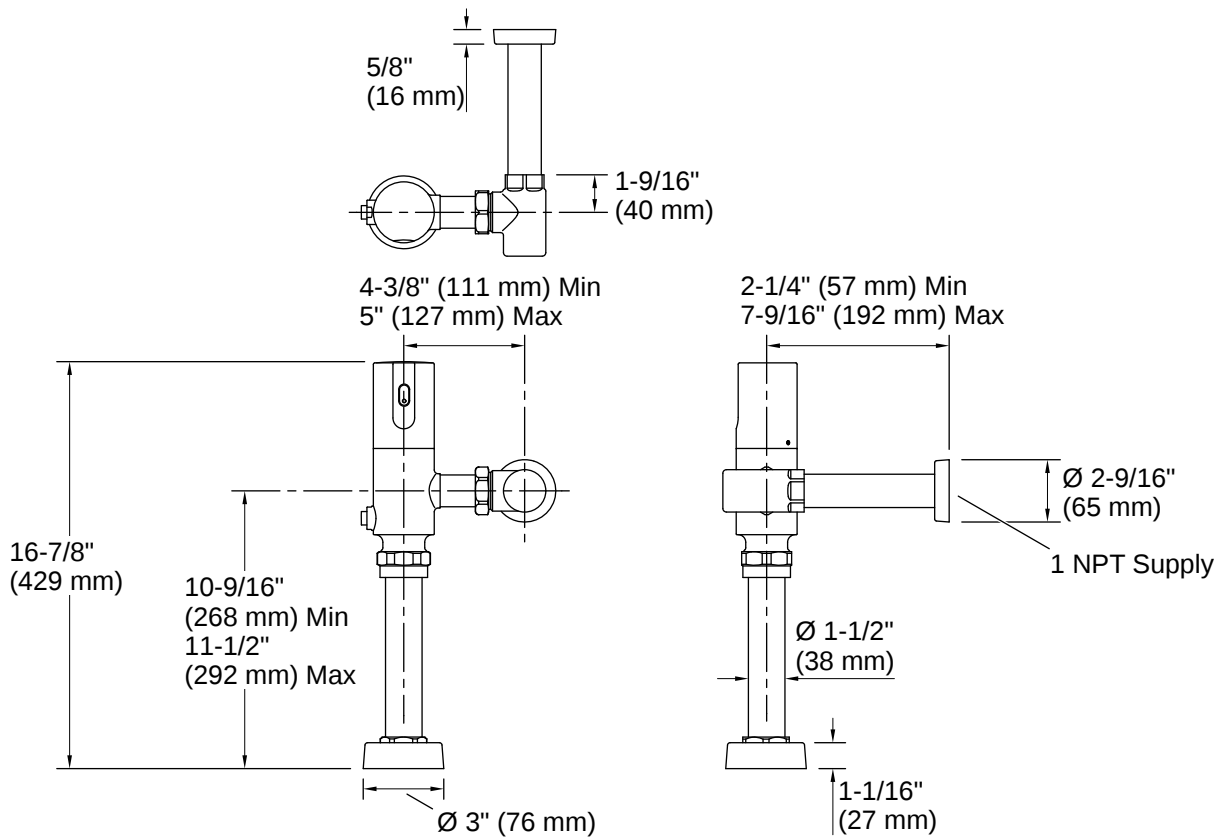


1-800-4KOHLER (1-800-456-4537)

Kohler Co. reserves the right to make revisions without notice to product specifications.

For the most current specification sheet, go to www.kohler.com USA or www.kohler.ca Canada.

4-15-2026 6:45 - US-CA



Installation

- Intended for toilet installations with 1-1/2" (38 mm) top spud coupling connection

Installation Notes

Install this product according to the installation instructions.

ADA, OBC, CSA B651 compliant when installed to the specific requirements of these regulations.

