



Langlade® | K-5180

Stainless steel sink rack, 13-1/2" x 15-1/4", for right-hand bowl

Features

- Fits in the right bowl of the K-6626 Langlade Smart Divide® kitchen sink
- Helps protect sink surface from daily wear
- Innovative wheels around the perimeter provide a secure fit and reduce debris buildup
- Dishwasher-safe



Available Colors/Finishes

Color tiles intended for reference only.

 ST Stainless Steel



1-800-4KOHLER (1-800-456-4537)
Kohler Co. reserves the right to make revisions without notice to product specifications.
For the most current specification sheet, go to www.kohler.com USA or www.kohler.ca Canada.
4-15-2026 4:51 - US-CA

THE BOLD LOOK
OF **KOHLER**®

Codes/Standards

None Applicable

Material

- Durable stainless steel construction
-

Recommended Products/Accessories

K-23729 Stainless steel cleaner

Warranty

See website for detailed warranty information.

KOHLER® One-Year Limited Warranty

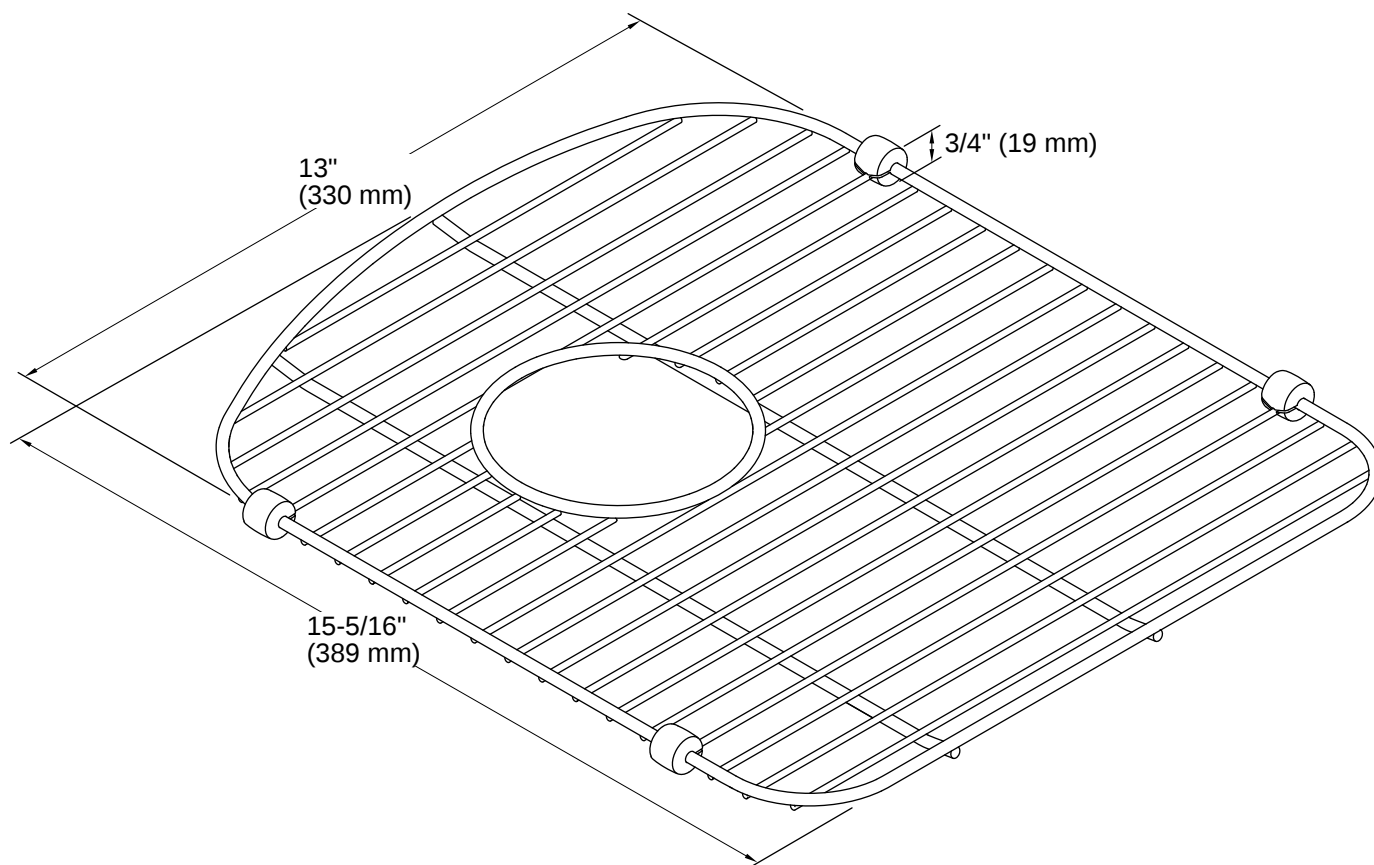


1-800-4KOHLER (1-800-456-4537)

Kohler Co. reserves the right to make revisions without notice to product specifications.

For the most current specification sheet, go to www.kohler.com USA or www.kohler.ca Canada.

4-15-2026 4:51 - US-CA



Installation Notes

Install this product according to the installation instructions.

