

Mendota® | K-506

60" x 32" alcove bath, right drain

Features

- 59-1/2"L x 32"W x 16-1/4"H
- Standard 5' x 32" size for alcove installation
- Integral apron for quick installation
- Integral lumbar support
- Safeguard® slip-resistant surface provides excellent traction underfoot



Sustainability



Available Colors/Finishes

Color tiles intended for reference only.

■ 0 White



Codes/Standards

ADA compliant when installed to the specific requirements of these regulations.



ASME A112.19.1/CSA B45.2
ASTM F462
ADA
ICC/ANSI A117.1

Technical Information

All product dimensions are nominal.

Drain Location:	Right
Drain Hole Diameter:	2-5/16" (58 mm)
Minimum Flat for Door:	1-7/8" (47 mm)
Basin Area, Bottom:	46" x 20" (1168 mm x 508 mm)
Basin Area, Top:	54" x 24" (1372 mm x 610 mm)
Water Depth:	10-7/8" (276 mm)
Water Capacity:	45 gal (170.3 L)
Minimum Floor Load:	56 lbs/ft ²
Weight:	351 lbs (159.2 kg)

Material

- KOHLER® enameled cast iron

Recommended Products/Accessories

- K-1491 Bath/whirlpool pillow, removable
- K-1601 Bath/whirlpool footstop, removable
- K-23726 Drain treatment
- K-7213 Cable bath drain with PVC tubing
- K-7214 Cable bath drain, less PVC tubing
- K-706007-L Sliding bath door, 62" H x 56-5/8 - 59-5/8" W, with 3/8" thick Crystal Clear glass
- K-23725 Cast iron cleaner
- K-706000-D3 Sliding bath door, 62" H x 56-5/8 - 59-5/8" W, with 1/4" thick Frosted glass
- K-706000-L 62" H sliding bath door with 1/4"-thick glass
- K-706003-L Sliding bath door, 62" H x 56-5/8 - 59-5/8" W, with 3/8" thick Crystal Clear glass
- K-706004-D3 Sliding bath door, 62" H x 56-5/8 - 59-5/8" W, with 1/4" thick Frosted glass
- K-706004-L Sliding bath door, 62" H x 56-5/8 - 59-5/8" W, with 1/4" thick Crystal Clear glass

Required Products/Accessories

- K-7259 Brass toe tap bath drain

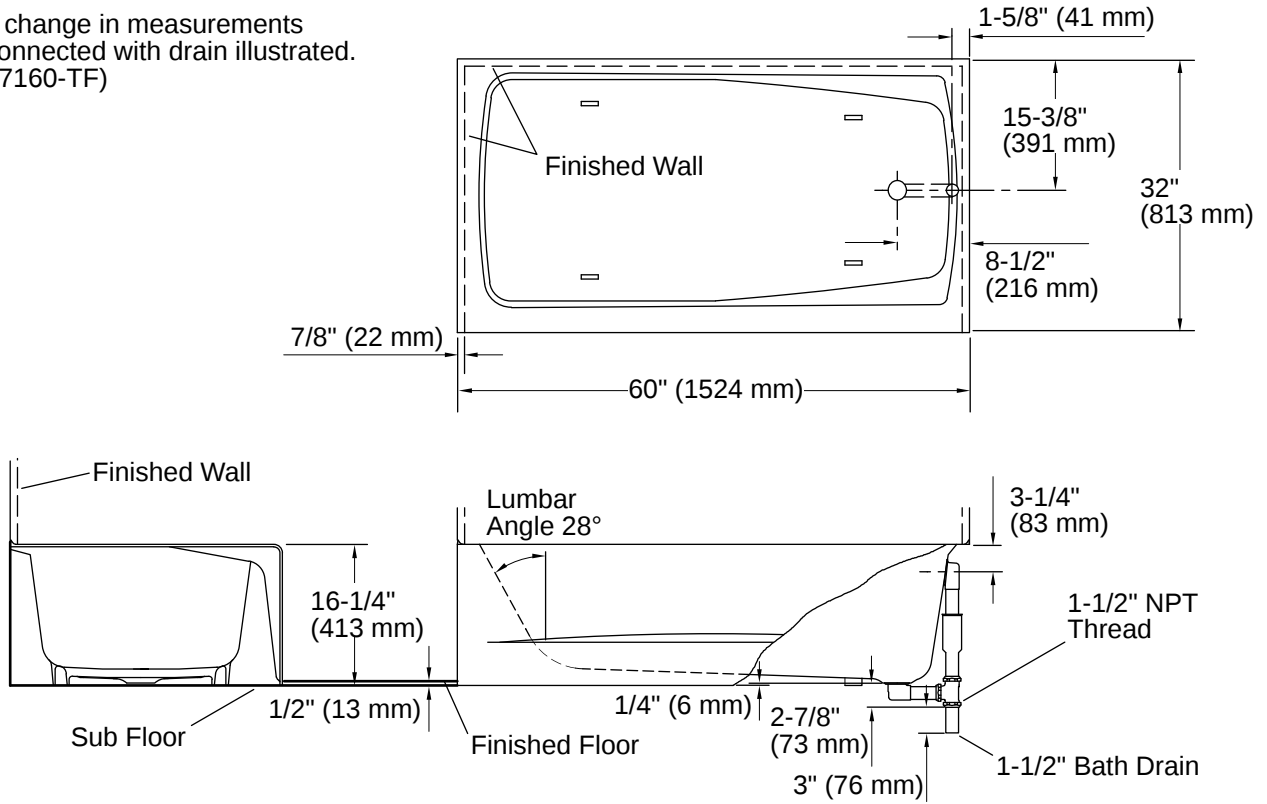
Warranty

See website for detailed warranty information.

KOHLER® Enameled Cast Iron Bath and Shower Base Lifetime Limited Warranty



No change in measurements if connected with drain illustrated. (K-7160-TF)



Installation

- Alcove
- Integral flange
- Right drain

Installation Notes

Install this product according to the installation instructions.

Measure your actual product for rough-in details.

The hot water supply should be 70% of the capacity of the bath or greater. Installations will vary.

ADA compliant when installed to the specific requirements of these regulations.

