



Bardon™ | K-4991-TAET

Washout half-stall 0.125–1.0 gpf urinal, top spud

Features

- Washout urinal
- 3/4" (19 mm) top spud
- 0.125 - 1.0 gpf (0.47 - 3.8 lpf)
- Same rough-in dimensions as K-4904 and K-4960 Bardon urinals
- Enhanced geometry to maintain leadership as one of the industry's best performers in limiting splash-back
- Increased trapway diameter allows for accelerated drain flow
- Accuflush™ technology: ultra-low consumption down to 0.125 gpf (0.47 lpf) or up to 1.0 gpf (3.8 lpf) depending on flush valve selection
- Rigid snap-in stainless steel strainer increases drain flow speed and eliminates shifting
- Trade Agreement Act (TAA) compliant



Codes/Standards

ADA, CSA B651 compliant when installed to the specific requirements of these regulations.

CSA B651

ASME A112.19.2/CSA B45.1
DOE - Energy Policy Act 1992
EPA WaterSense®
California Energy Commission (CEC)
ADA
ICC/ANSI A117.1
CSA B651

Technical Information

All product dimensions are nominal.

Spud size: 3/4", Inlet, Top
Trapway Type: Exposed
Flush Rate: 0.125 or 1.0 gpf (0.5 or 3.8 lpf)

Designed for the above water use when installed with a water-saving flushometer.

Material

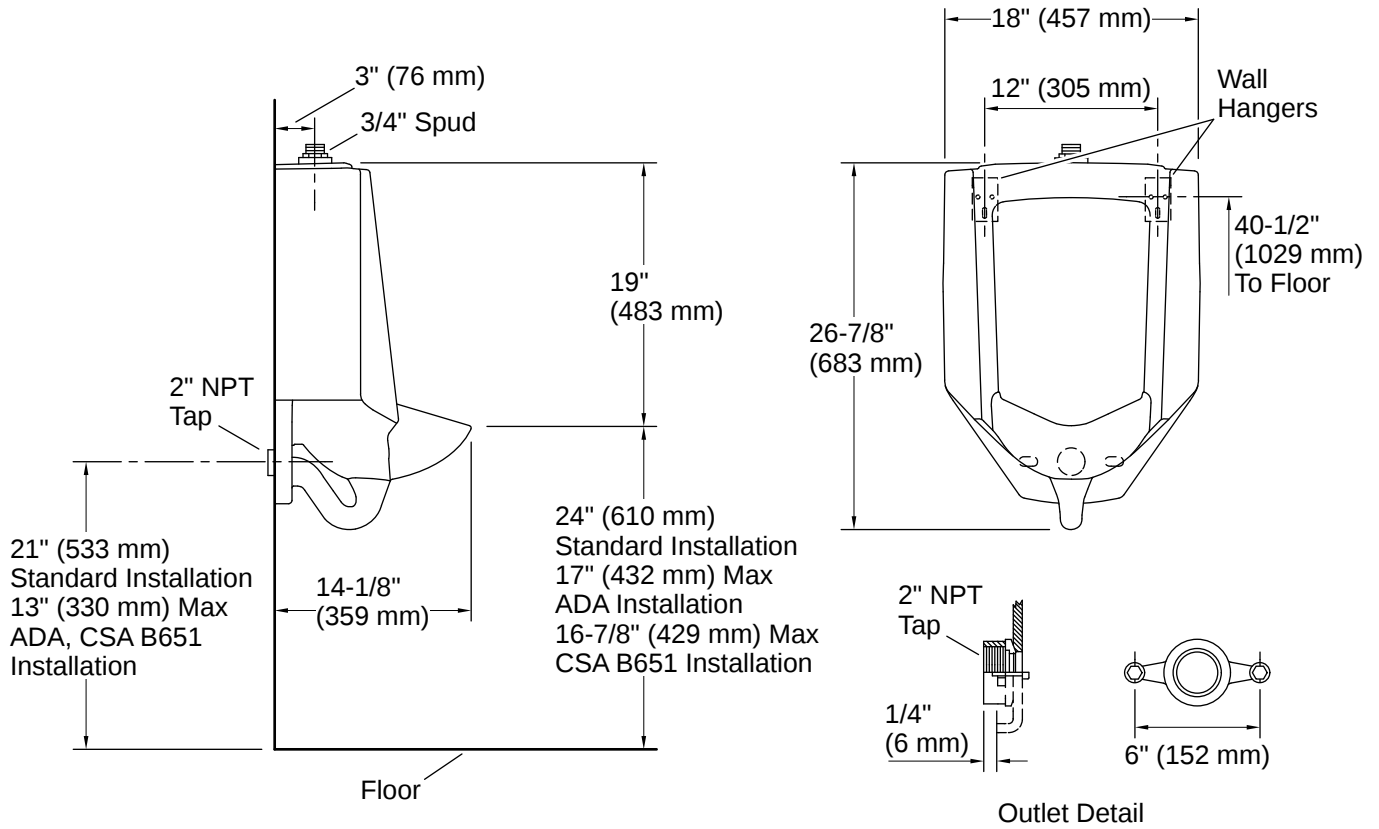
- Vitreous china
-

Warranty

See website for detailed warranty information.

KOHLER® One-Year Limited Warranty





Installation

- 14" (356 mm) extended rim
- Will replace K-4991-ET and K-4960-ET Bardon urinals

Installation Notes

Install this product according to the installation instructions.

Product dimensions are nominal and may vary per ASME A112.19.2 tolerances.

This product should be used with a WaterSense labeled counterpart with the same rated flush volume to ensure the complete system meets the requirements of this specification for water efficiency and performance.

ADA, CSA B651 compliant when installed to the specific requirements of these regulations.

