



Stronghold® | K-4731-GC

Commercial elongated toilet seat with integrated handle and Quiet-Close™ check hinge

Features

- Elongated open-front seat
- Ergonomic contour adds additional comfort
- Integrated lift tab on seat edge offers a more hygienic solution for raising and lowering
- Stainless steel hinge arms and hardware
- Heavy duty
- Without cover
- Quiet-Close™ hinge will slowly close seat with check hinge functionality



Available Colors/Finishes

Color tiles intended for reference only.

- 0 White



1-800-4KOHLER (1-800-456-4537)
Kohler Co. reserves the right to make revisions without notice to product specifications.
For the most current specification sheet, go to www.kohler.com USA or www.kohler.ca Canada.
4-15-2026 3:12 - US-CA

THE BOLD LOOK
OF **KOHLER**®

Codes/Standards

Plumbing codes may require elongated toilets and elongated, open-front seats in public bathrooms.

Technical Information

All product dimensions are nominal.

Seat Shape Type:	Elongated
Seat Front Type:	Open-front
Seat Hinge Type:	Check
Seat-Mounting Holes:	5-1/2" (140 mm)

Material

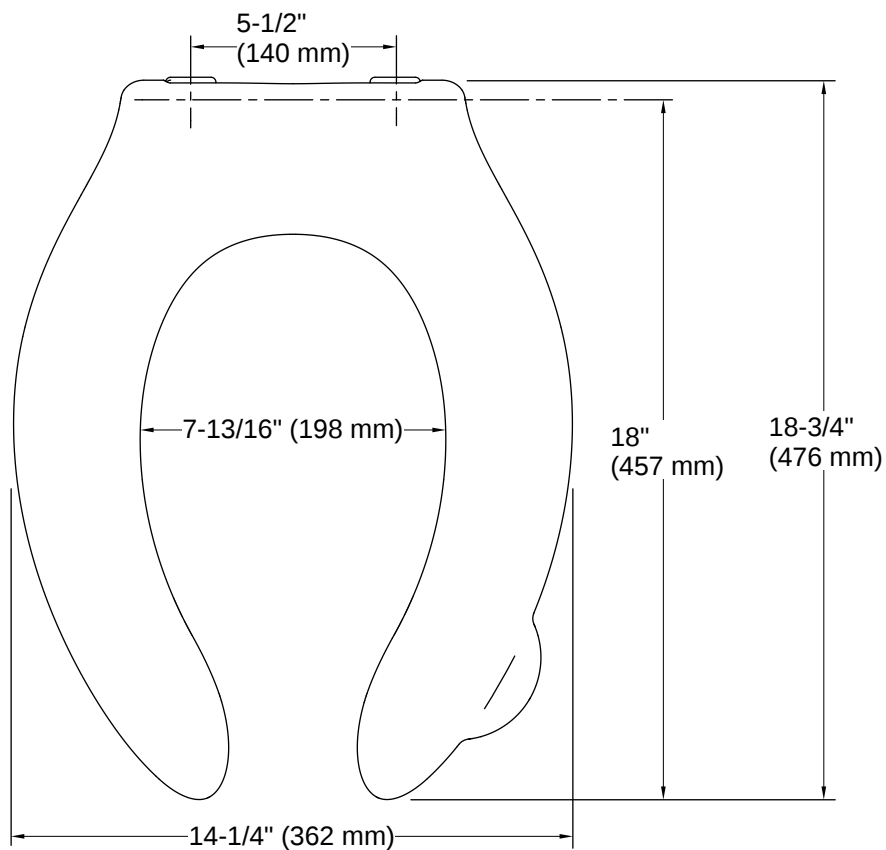
- Polypropylene
-

Warranty

See website for detailed warranty information.

KOHLER® One-Year Limited Warranty





Installation Notes

Install this product according to the installation instructions.

