



Kathryn® | K-4701-CP

Elongated toilet seat

Features

- Exclusive seat design for Kathryn K-3324 and K-3484 toilets
- Polished Chrome hinges
- Coordinates with other products in the Kathryn collection



Codes/Standards

Plumbing codes may require elongated toilets and elongated, open-front seats in public bathrooms.

Technical Information

All product dimensions are nominal.

Seat Shape Type:	Elongated
Seat Front Type:	Closed-front
Seat-Mounting Holes:	5-1/2" (140 mm)

Material

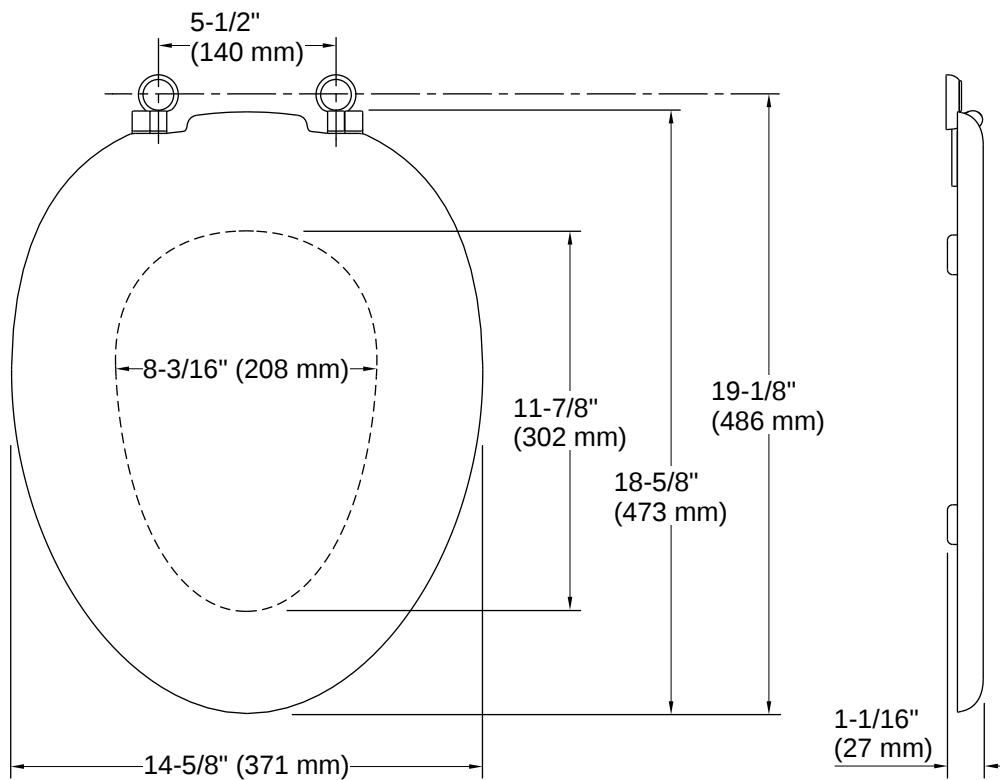
- Molded wood
-

Warranty

See website for detailed warranty information.

KOHLER® One-Year Limited Warranty





Installation Notes

Install this product according to the installation instructions.

