



# Lustra™ | K-4666-C

Elongated toilet seat with check hinge

## Features

- KOHLER® plumbing products combine beautiful form and reliable function
- Extra-heavy, elongated, open-front toilet seat
- Check hinge



## Available Colors/Finishes

*Color tiles intended for reference only.*

- 0 White



1-800-4KOHLER (1-800-456-4537)  
Kohler Co. reserves the right to make revisions without notice to product specifications.  
For the most current specification sheet, go to [www.kohler.com](http://www.kohler.com) USA or [www.kohler.ca](http://www.kohler.ca) Canada.  
4-15-2026 1:9 - US-CA

THE BOLD LOOK  
OF **KOHLER**®

---

## Codes/Standards

*Plumbing codes may require elongated toilets and elongated, open-front seats in public bathrooms.*

IAPMO/ANSI Z124.5

---

## Technical Information

*All product dimensions are nominal.*

Seat Shape Type:	Elongated
Seat Front Type:	Open-front
Seat Hinge Type:	Check
Seat-Mounting Holes:	5-1/2" (140 mm)

---

## Material

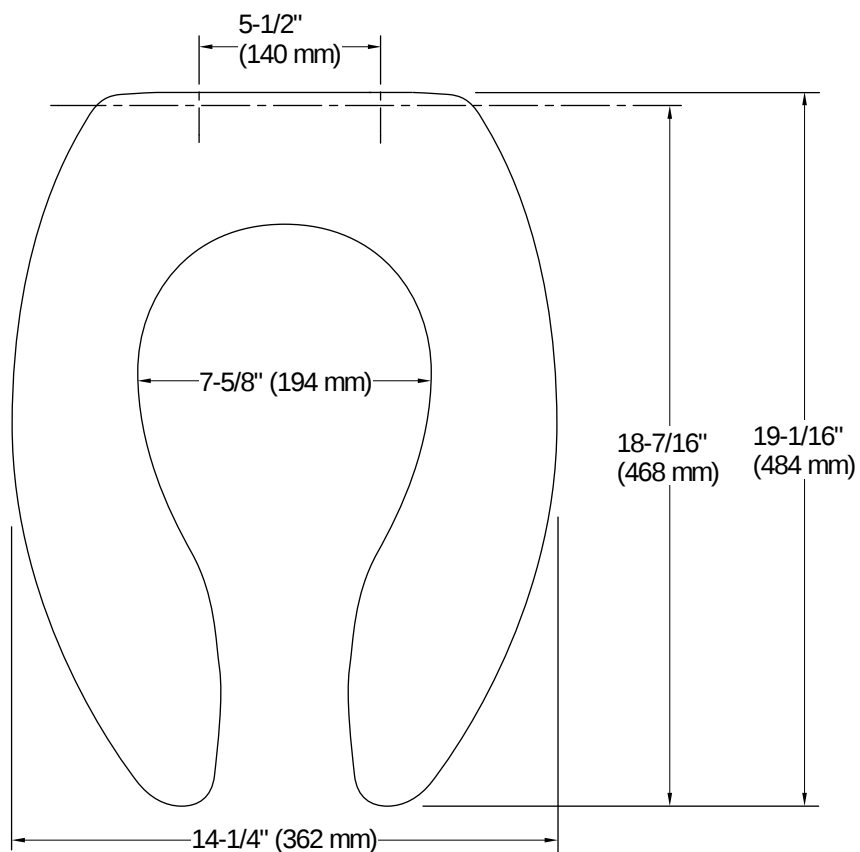
- Polypropylene
- 

## Warranty

*See website for detailed warranty information.*

KOHLER® One-Year Limited Warranty





## Installation Notes

*Install this product according to the installation instructions.*

