



# Lustra™ | K-4652-A

Quick-Release™ elongated toilet seat with antimicrobial agent

## Features

- Quick-Release™ functionality allows seat to be removed easily from toilet for convenient cleaning
- Quick-Attach® hardware for fast and secure installation
- Color-matched plastic hinges
- Antimicrobial agent inhibits growth of odor-causing bacteria, mold, and mildew. This product does not protect users against bacteria, viruses, or other disease organisms. Always clean and wash this product thoroughly before and after each use



---

## Codes/Standards

*Plumbing codes may require elongated toilets and elongated, open-front seats in public bathrooms.*

---

## Technical Information

*All product dimensions are nominal.*

Seat Shape Type:	Elongated
Seat Front Type:	Closed-front
Seat-Mounting Holes:	5-1/2" (140 mm)

---

## Material

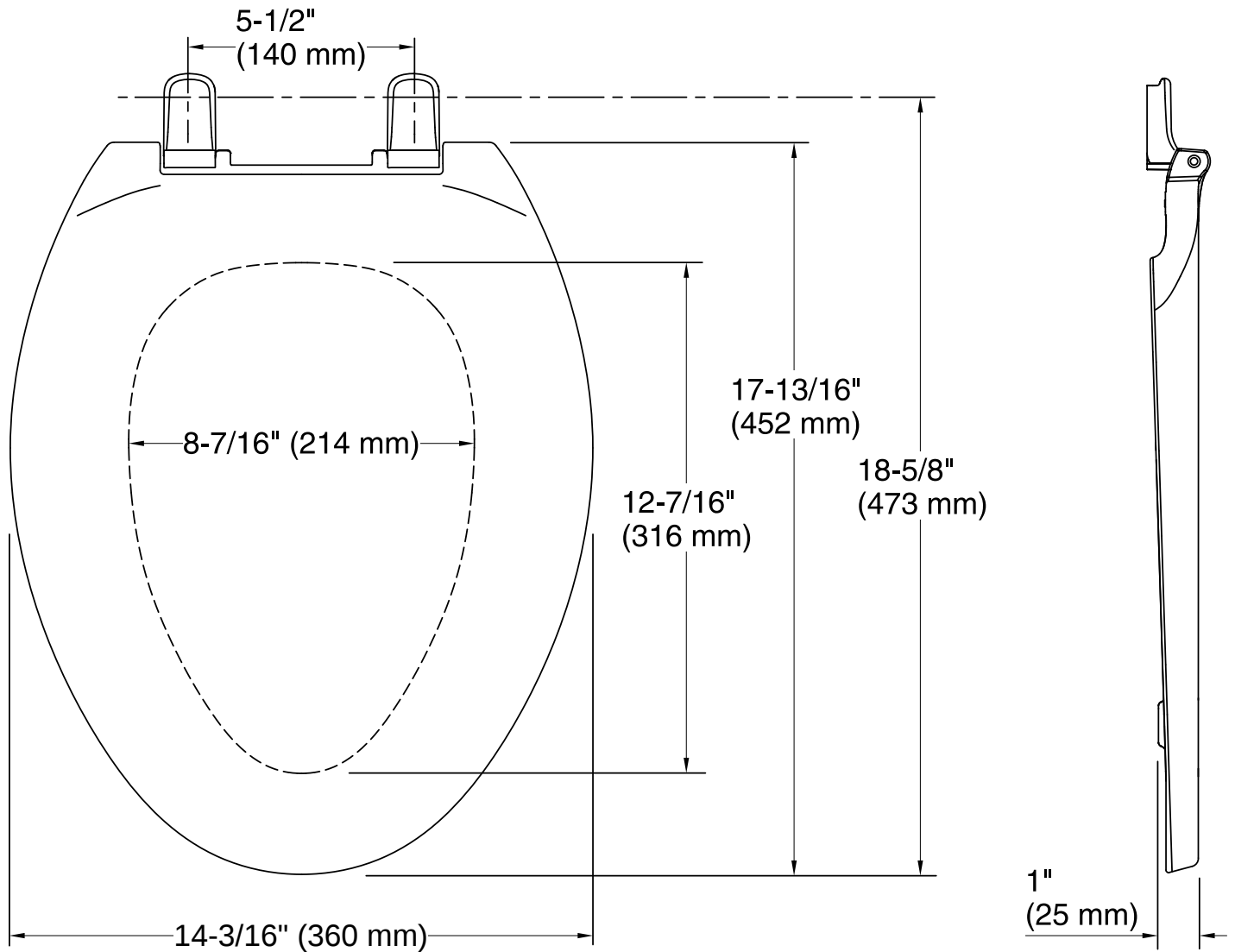
- Plastic construction
- 

## Warranty

*See website for detailed warranty information.*

KOHLER® One-Year Limited Warranty





Installation Notes

*Install this product according to the installation instructions.*



1-800-4KOHLER (1-800-456-4537)  
Kohler Co. reserves the right to make revisions without notice to product specifications.  
For the most current specification sheet, go to [www.kohler.com](http://www.kohler.com) USA or [www.kohler.ca](http://www.kohler.ca) Canada.  
4-15-2026 4:21 - US-CA