



# Taut® | K-46029-4

Single-hole commercial faucet with grid drain

## Features

- 0.5 gpm (1.9 lpm) maximum flow rate
- Water-saving vandal-resistant aerator
- Single lever handle allows for both on/off activation and temperature setting
- KOHLER® ceramic disc valves exceed industry longevity standards for a lifetime of durable performance
- Grid drain
- Less lift rod, lift rod hole



## Available Colors/Finishes

*Color tiles intended for reference only.*

- CP Polished Chrome



1-800-4KOHLER (1-800-456-4537)  
Kohler Co. reserves the right to make revisions without notice to product specifications.  
For the most current specification sheet, go to [www.kohler.com](http://www.kohler.com) USA or [www.kohler.ca](http://www.kohler.ca) Canada.  
4-15-2026 6:4 - US-CA

THE BOLD LOOK  
OF **KOHLER**®

## Codes/Standards

ADA, OBC, CSA B651 compliant when installed to the specific requirements of these regulations.

ADA CSA B651 OBC

ASME A112.18.1/CSA B125.1  
NSF/ANSI/CAN 372  
NSF/ANSI/CAN 61  
DOE - Energy Policy Act 1992  
California Energy Commission (CEC)  
NSF/ANSI/CAN 61|NSF/ANSI/CAN 372  
ADA  
ICC/ANSI A117.1  
CSA B651  
OBC

## Warranty

See website for detailed warranty information.

KOHLER® Faucet Lifetime Limited Warranty

## Technical Information

All product dimensions are nominal.

### Handle

Handle Style/ Type: Lever

### Spout

Spout Reach: 3-15/16" (100 mm)

### Flow Rate

Faucet Flow Rate: 0.5 gpm (1.9 l/min)

## Valves

Included Valves: Ceramic disc, Thermostatic, Volume Control

## Material

- Premium metal construction for durability and reliability
- KOHLER finishes resist corrosion and tarnishing

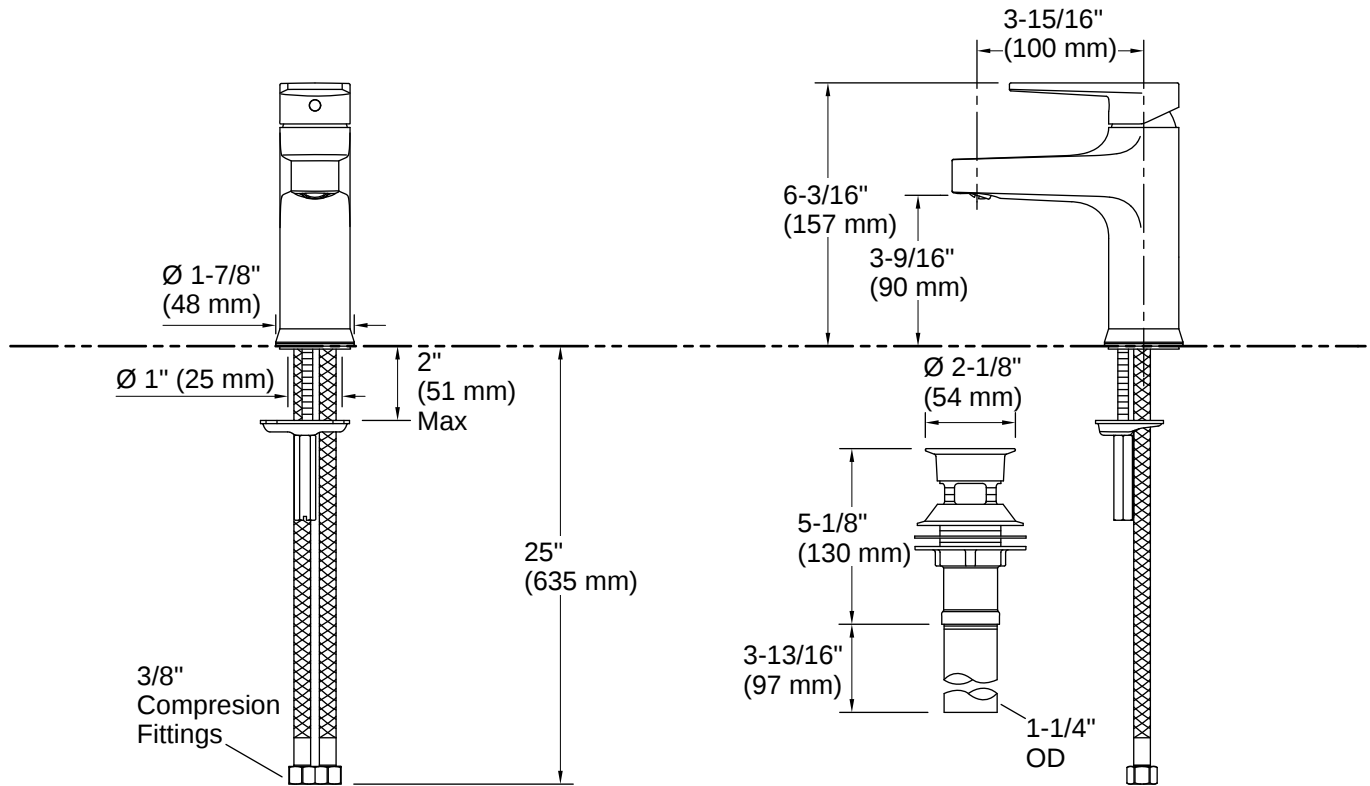
## Recommended Products/Accessories

K-23726 Drain treatment

K-23723 Faucet cleaner



1-800-4KOHLER (1-800-456-4537)  
Kohler Co. reserves the right to make revisions without notice to product specifications.  
For the most current specification sheet, go to [www.kohler.com](http://www.kohler.com) USA or [www.kohler.ca](http://www.kohler.ca) Canada.  
4-15-2026 6:4 - US-CA



## Installation

- Single-hole installation (escutcheon plate sold separately)
- Preattached flexible supply lines simplify installation

## Installation Notes

*Install this product according to the installation instructions.*

ADA compliant for handles only.  
ADA, OBC, CSA B651 compliant when installed to the specific requirements of these regulations.

