



Devonshire® | K-45413-G

Single-function showerhead, 1.75 gpm

Features

- Optimized sprayface for maximum performance
- MasterClean™ sprayface features an easy-to-clean surface that withstands mineral buildup and maximizes spray performance
- 5-15/16" (151 mm) diameter sprayface
- 1.75 gpm (6.6 lpm) maximum flow rate



Sustainability



1-800-4KOHLER (1-800-456-4537)
Kohler Co. reserves the right to make revisions without notice to product specifications.
For the most current specification sheet, go to www.kohler.com USA or www.kohler.ca Canada.
4-15-2026 4:19 - US-CA

THE BOLD LOOK
OF **KOHLER**®

Codes/Standards



ASME A112.18.1/CSA B125.1
DOE - Energy Policy Act 1992
EPA WaterSense®
California Energy Commission (CEC)

Technical Information

All product dimensions are nominal.

Flow Rate

Shower/Rainhead Rated 1.75 gpm (6.6 l/min)
Maximum Flow:

Recommended Products/Accessories

K-23723 Faucet cleaner
K-7397 Shower arm and flange, 7-1/2" long

Technology

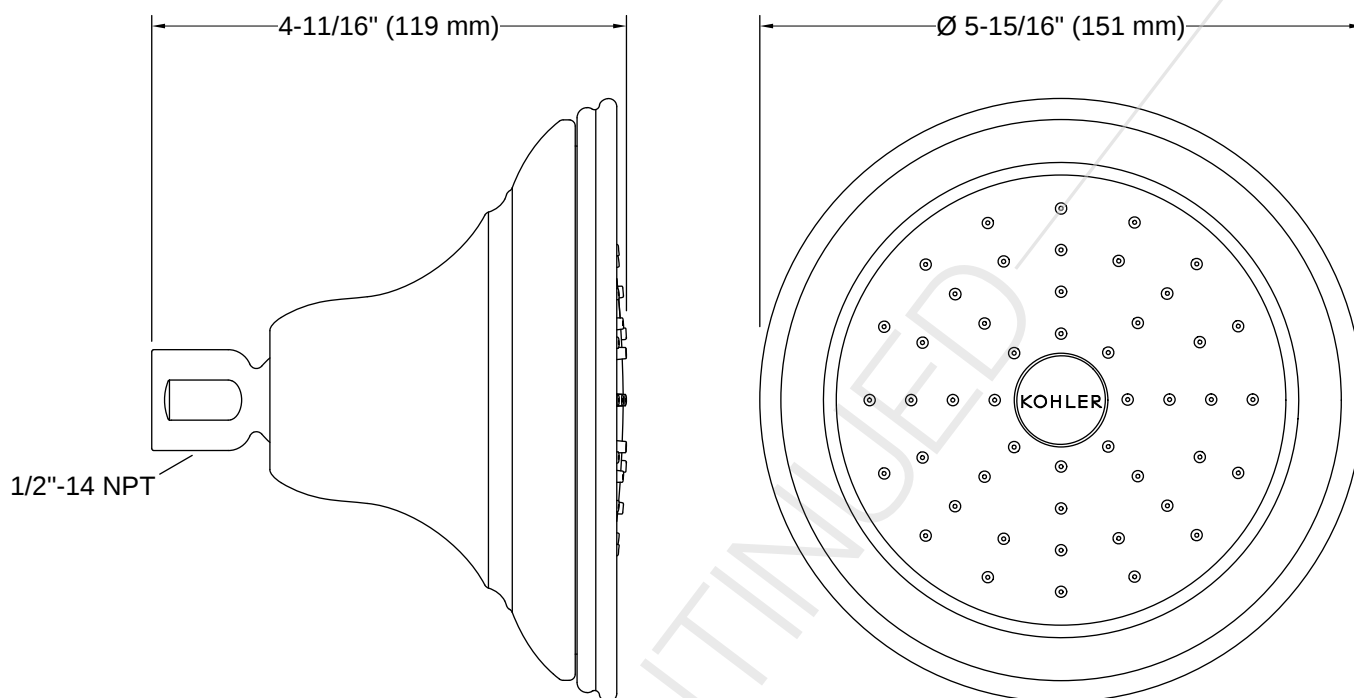
- Katalyst® air-induction technology infuses water with air, creating bigger drops for a more powerful spray
 - Katalyst® air-induction technology infuses water with air, creating bigger drops for a more powerful spray
-

Warranty

See website for detailed warranty information.

KOHLER® Faucet Lifetime Limited Warranty





Installation

- 1/2" -14 NPT connection
- Shower arm and flange sold separately

Installation Notes

Install this product according to the installation instructions.

For use with automatic compensating valves rated at 1.4 gal/min (5.3 l/min) or less.

