



# Stoneridge® | K-44165

62" x 34" alcove shower base, center drain

## Features

- Low threshold assures ease of entry and exit of the shower space
- Honed surface provides improved slip resistance (tested in accordance with DIN EN 16165:2023-02 Annex A)
- Three-sided integral flange
- Complements traditional and contemporary bathroom designs
- Allows for quick and easy mortarless installation
- Contains more than 60% natural stone



## Available Colors/Finishes

*Color tiles intended for reference only.*

- HW1 Honed White



1-800-4KOHLER (1-800-456-4537)  
Kohler Co. reserves the right to make revisions without notice to product specifications.  
For the most current specification sheet, go to [www.kohler.com](http://www.kohler.com) USA or [www.kohler.ca](http://www.kohler.ca) Canada.  
4-15-2026 6:43 - US-CA

THE BOLD LOOK  
OF **KOHLER**®

---

## Codes/Standards

CSA B45.5/IAPMO Z124  
ASTM E162  
ASTM E662

---

## Technical Information

*All product dimensions are nominal.*

Drain Location:	Center
Drain Hole Diameter:	3-3/8" (86 mm)
Weight:	165 lbs (74.8 kg)

---

## Material

- KOHLER® engineered stone
- 

## Recommended Products/Accessories

K-9132 Round shower drain for use with plastic pipe, gasket included  
K-23732 Tub & shower cleaner

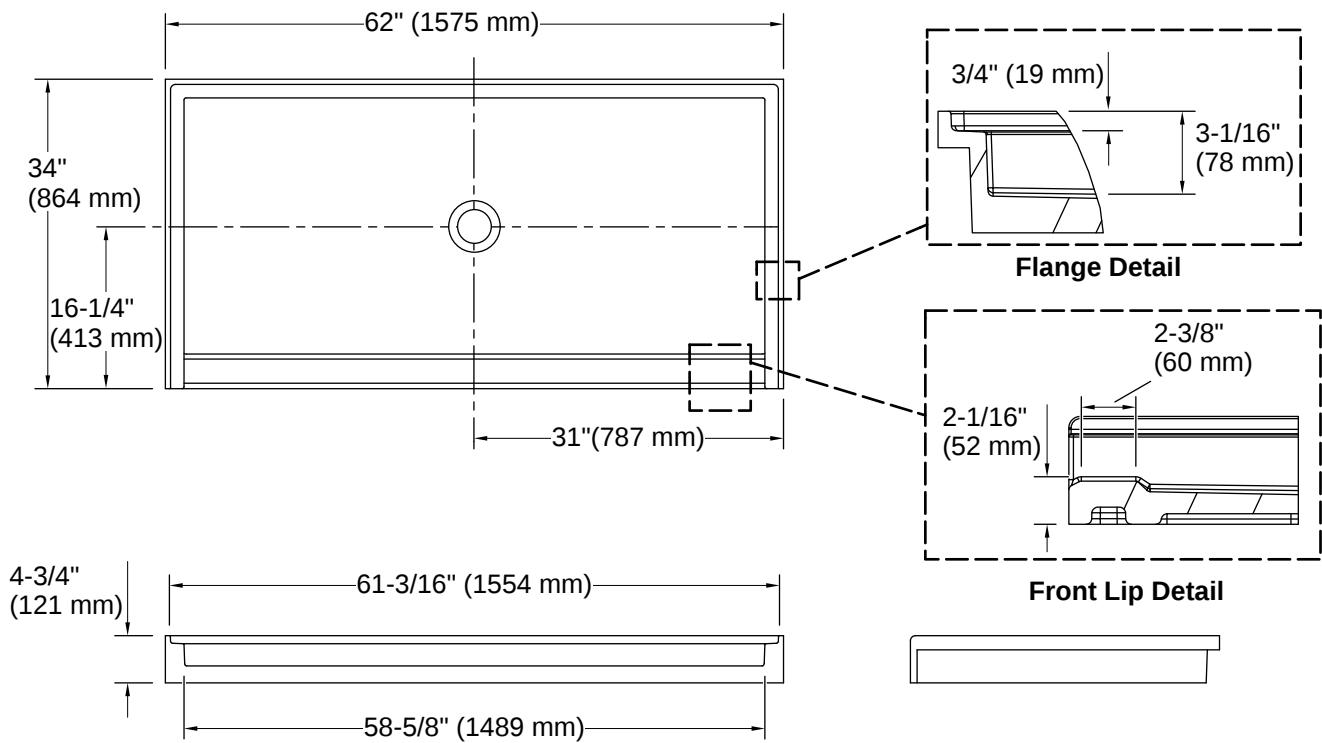
---

## Warranty

*See website for detailed warranty information.*

KOHLER® Plastic Baths and Shower Bases Lifetime Limited Warranty





## Installation

- Alcove
- Center drain
- For residential and hospitality use

## Installation Notes

*Install this product according to the installation instructions.*

Measure your actual product for rough-in details.

