



Stoneridge® | K-44152

60" x 34" alcove shower base, right drain

Features

- Honed surface provides improved slip resistance (tested in accordance with DIN EN 16165:2023-02 Annex A)
- Three-sided integral flange
- Color-matched drain cover
- Complements traditional and contemporary bathroom designs
- Allows for quick and easy mortarless installation
- Contains more than 60% natural stone



Available Colors/Finishes

Color tiles intended for reference only.

- HW1 Honed White



1-800-4KOHLER (1-800-456-4537)
Kohler Co. reserves the right to make revisions without notice to product specifications.
For the most current specification sheet, go to www.kohler.com USA or www.kohler.ca Canada.
4-15-2026 6:43 - US-CA

THE BOLD LOOK
OF **KOHLER**®

Codes/Standards

CSA B45.5/IAPMO Z124
ASTM E162
ASTM E662

Technical Information

All product dimensions are nominal.

Drain Location:	Right
Drain Hole Diameter:	3-3/8" (86 mm)
Weight:	191 lbs (86.6 kg)

Material

- KOHLER® engineered stone
-

Recommended Products/Accessories

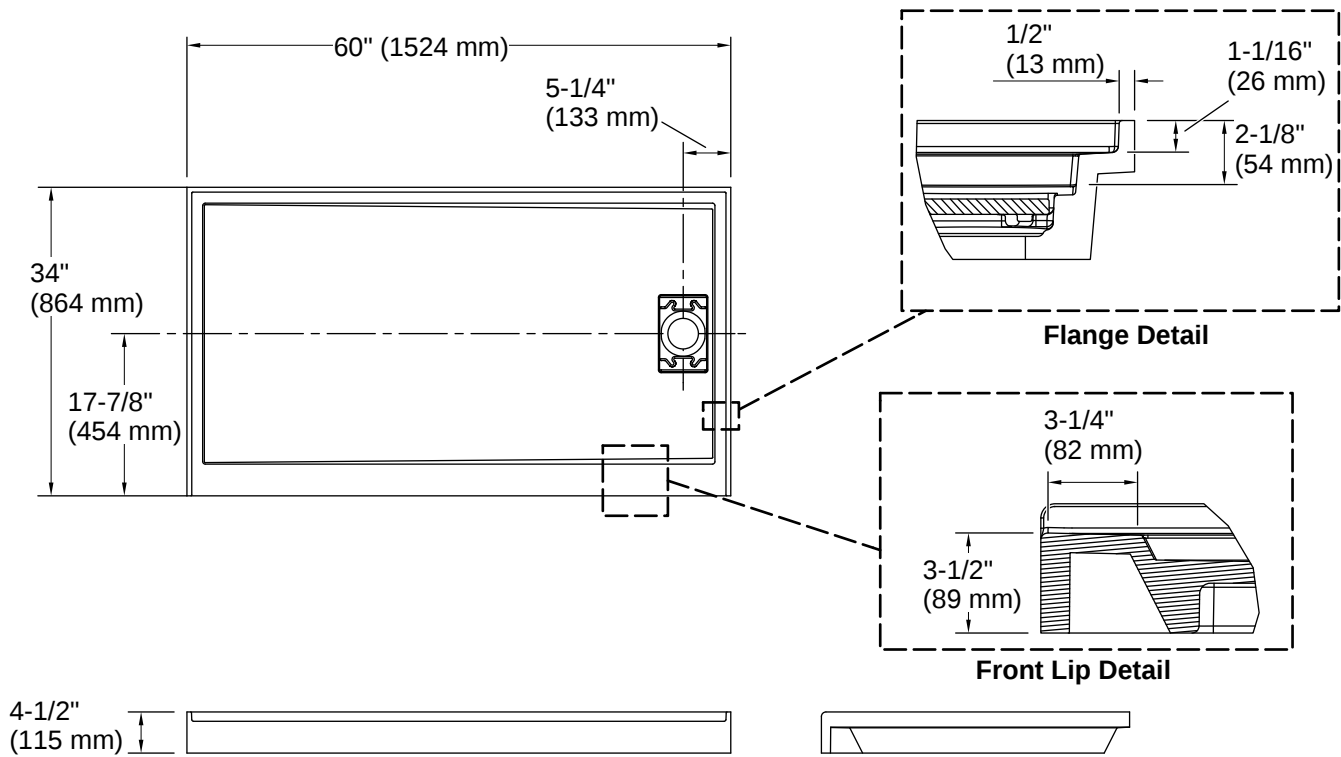
K-9132 Round shower drain for use with plastic pipe, gasket included
K-23732 Tub & shower cleaner

Warranty

See website for detailed warranty information.

KOHLER® Plastic Baths and Shower Bases Lifetime Limited Warranty





Installation

- Alcove
- Right drain
- For residential and hospitality use

Installation Notes

Install this product according to the installation instructions.

Measure your actual product for rough-in details.

