

## Anglesey™ | K-4388

Floor-mount top spud flushometer bowl with integral seat

### Features

- 1-1/2" (38 mm) top spud
- Elongated bowl offers added room and comfort
- 4-1/2" (114 mm) rough-in
- Includes integral seat, angle back, and wall outlet



### Sustainability



### Available Colors/Finishes

*Color tiles intended for reference only.*

- 0 White



---

## Codes/Standards

*Accessibility standards may require controls to be located on the open side of the toilet.*

*Plumbing codes may require elongated toilets and elongated, open-front seats in public bathrooms.*

ASME A112.19.2/CSA B45.1

---

## Technical Information

Installation Type:	Floor-mount
Rough-in:	4.5"
Flush Type:	Siphon
Flush Rate:	1.6 gpf (6 lpf)
Bowl Shape:	Elongated
Seat-Mounting Holes:	5-1/2" (140 mm)
Trapway Size:	2-1/2" (63 mm)
Trapway Type:	Exposed
Water Surface Size:	11" x 9-1/2" (279 mm x 241 mm)
Rim to Water Surface:	5-1/4" (133 mm)

---

## Pressure/Fixture Supply Requirements

Minimum Flowing Pressure:	25 psi (172.4 kPa)
Minimum Flow Rate:	25 gpm (94.6 l/min)

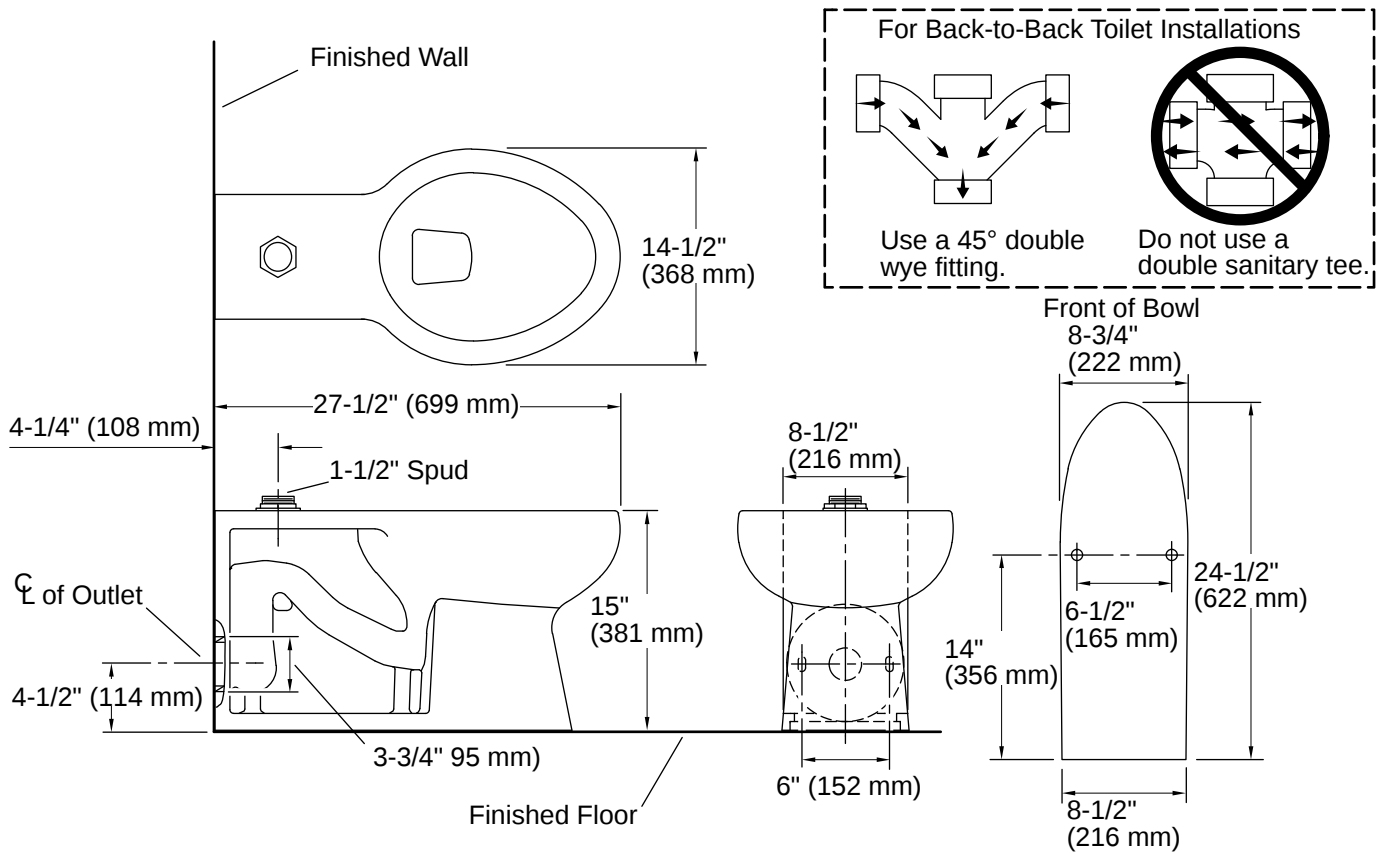
---

## Warranty

*See website for detailed warranty information.*

KOHLER® One-Year Limited Warranty





## Installation

- Designed for use in prisons and mental healthcare facilities. Not anti-ligature

## Installation Notes

Install this product according to the installation instructions.

Product dimensions are nominal and may vary per ASME A112.19.2 tolerances.

