



Anglesey™ | K-4386

Flushometer bowl with top spud, 1.6 gpf

Features

- Elongated bowl offers added room and comfort
- Angle back and wall outlet
- 1-1/2" (38 mm) top spud
- 2-3/8" (60 mm) passageway
- 11" (279 mm) x 9-1/2" (241 mm) water area
- 4-1/2" (114 mm) rough-in
- 1.6 gpf (6.0 lpf)



Available Colors/Finishes

Color tiles intended for reference only.

- 0 White



1-800-4KOHLER (1-800-456-4537)
Kohler Co. reserves the right to make revisions without notice to product specifications.
For the most current specification sheet, go to www.kohler.com USA or www.kohler.ca Canada.
4-15-2026 3:25 - US-CA

THE BOLD LOOK
OF **KOHLER**

Codes/Standards

Accessibility standards may require controls to be located on the open side of the toilet.

Plumbing codes may require elongated toilets and elongated, open-front seats in public bathrooms.

ASME A112.19.2/CSA B45.1
DOE - Energy Policy Act 1992

Technical Information

Installation Type:	Floor-mount
Rough-in:	4.5"
Flush Type:	Siphon
Flush Rate:	1.6 gpf (6 lpf)
Bowl Shape:	Elongated
Seat-Mounting Holes:	5-1/2" (140 mm)
Waste Outlet:	Wall
Trapway Size:	2-1/2" (63 mm)
Trapway Type:	Exposed
Water Surface Size:	11" x 9-1/2" (279 mm x 241 mm)
Rim to Water Surface:	5-1/4" (133 mm)

Pressure/Fixture Supply Requirements

Minimum Flowing Pressure:	25 psi (172.4 kPa)
Minimum Flow Rate:	25 gpm (94.6 l/min)

Material

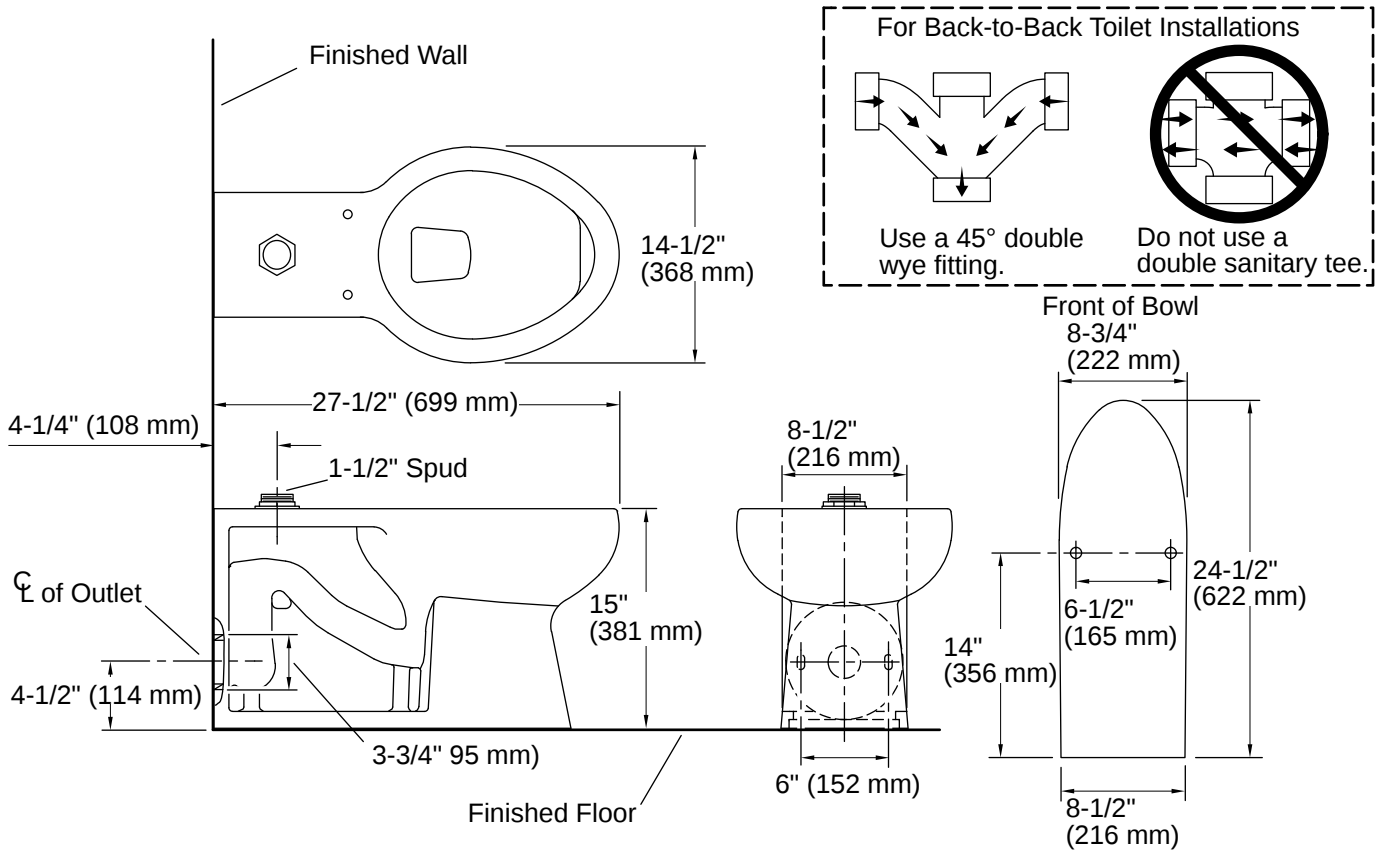
- Vitreous china

Warranty

See website for detailed warranty information.

KOHLER® One-Year Limited Warranty





Installation Notes

Install this product according to the installation instructions.

Refer to manufacturer's instructions and local codes for flushometer requirements.

For back-to-back toilet installations: Use only a 45° double wye fitting.

Product dimensions are nominal and may vary per ASME A112.19.2 tolerances.

