



Anglesey™ | K-4386-SS

Antimicrobial flushometer bowl with top spud, 1.6 gpf

Features

- Elongated bowl offers added room and comfort
- Angle back and wall outlet
- 1-1/2" (38 mm) top spud
- 2-3/8" (60 mm) passageway
- 11" (279 mm) x 9-1/2" (241 mm) water area
- 4-1/2" (114 mm) rough-in
- 1.6 gpf (6.0 lpf)
- Antimicrobial finish inhibits the growth of mold-, mildew-, stain-, and odor-causing bacteria on the fixture surface. This product does not protect users against bacteria, viruses, or other disease organisms. Always clean and wash this product thoroughly before and after each use



Codes/Standards

Accessibility standards may require controls to be located on the open side of the toilet.

Plumbing codes may require elongated toilets and elongated, open-front seats in public bathrooms.

ASME A112.19.2/CSA B45.1
 DOE - Energy Policy Act 1992

Technical Information

Installation Type:	Floor-mount
Rough-in:	4.5"
Flush Type:	Siphon
Flush Rate:	1.6 gpf (6.0 lpf)
Bowl Shape:	Elongated
Seat-Mounting Holes:	5-1/2" (140 mm)
Waste Outlet:	Wall
Trapway Size:	2-1/2" (63 mm)
Trapway Type:	Exposed
Water Surface Size:	11" x 9-1/2" (279 mm x 241 mm)
Rim to Water Surface:	5-1/4" (133 mm)

Pressure/Fixture Supply Requirements

Minimum Flowing Pressure:	25 psi (172.4 kPa)
Minimum Flow Rate:	25 gpm (94.6 l/min)

Material

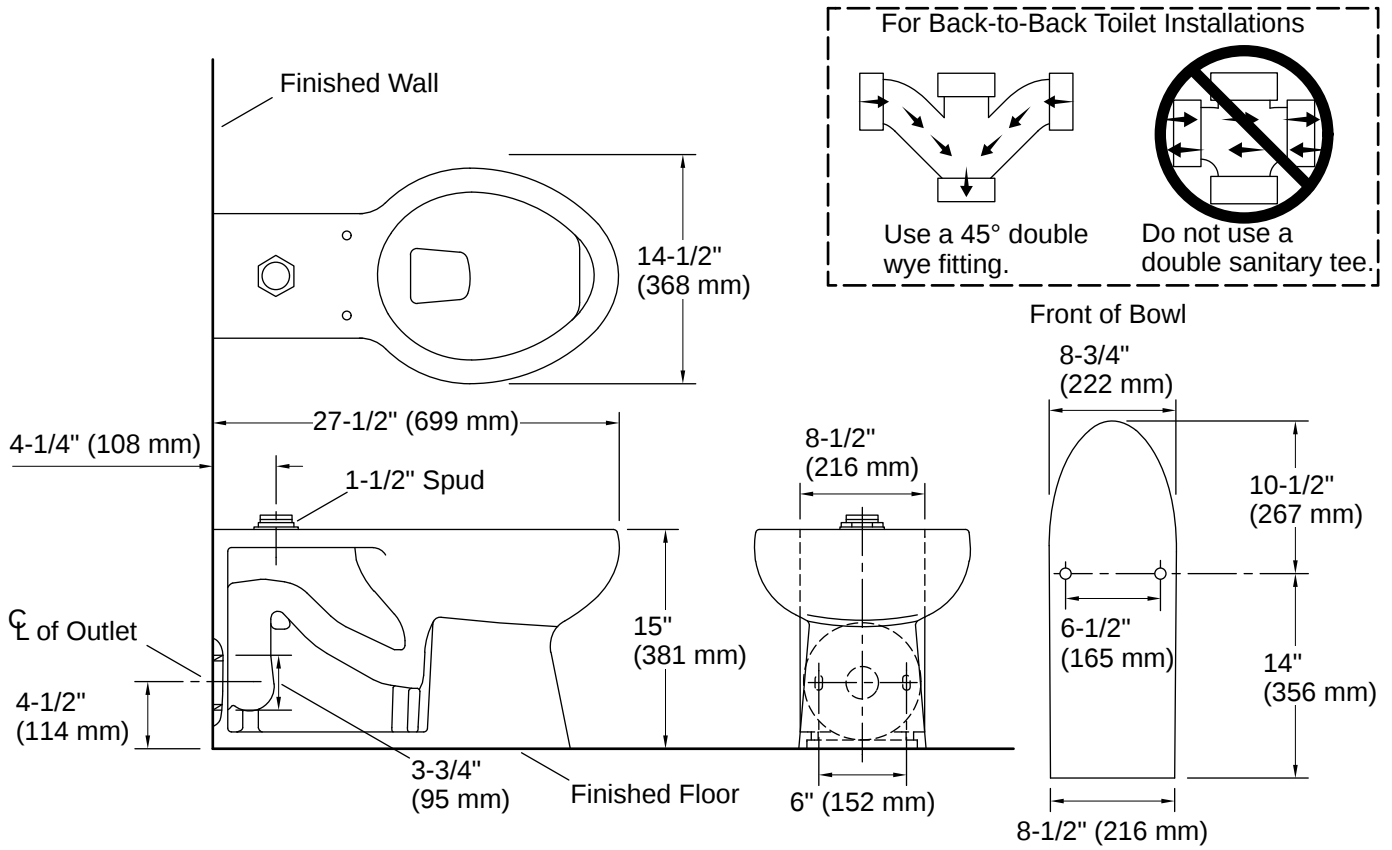
- Vitreous china

Warranty

See website for detailed warranty information.

KOHLER® One-Year Limited Warranty





Installation Notes

Install this product according to the installation instructions.

Refer to manufacturer's instructions and local codes for flushometer requirements.

For back-to-back toilet installations: Use only a 45° double wye fitting.

Product dimensions are nominal and may vary per ASME A112.19.2 tolerances.

