



Mach[®] WAVE | K-40UH00K20

Touchless urinal flushometer, HES-powered, 1.0 gpf

Features

- Activation distance is factory-set
- Chloramine and chlorine resistance on all rubber components exposed to waterway
- Engineered for optimal performance with KOHLER[®] commercial fixtures
- 125-micron filter protects internal components
- High back pressure vacuum breaker
- Locking stop cap provides protection against vandalism
- No external flush volume adjustment ensures water conservation
- 24-hour automatic sentinel flush keeps trapway fresh
- Mechanical override enables flushometer to be used manually even during a power outage
- Powered by a 30 year/875,000 cycle hybrid energy cell, based on 72 uses per day
- Patented piston technology for superior flush volume accuracy



Available Colors/Finishes

Color tiles intended for reference only.

- CP Polished Chrome



1-800-4KOHLER (1-800-456-4537)
Kohler Co. reserves the right to make revisions without notice to product specifications.
For the most current specification sheet, go to www.kohler.com USA or www.kohler.ca Canada.
4-15-2026 3:26 - US-CA

THE BOLD LOOK
OF **KOHLER**[®]

Codes/Standards

ADA, OBC, CSA B651 compliant when installed to the specific requirements of these regulations.

ADA CSA B651 OBC

ASME A112.18.1/CSA B125.1
ASSE 1037/ASME A112.1037/CSA B125.37
ADA
ICC/ANSI A117.1
CSA B651
OBC

Pressure/Fixture Supply Requirements

Minimum Flowing Pressure: 25 psi (172.4 kPa)
Minimum Flow Rate: 25 gpm (94.6 l/min)

Material

- Brass construction with durable Polished Chrome finish
-

Recommended Products/Accessories

1421939 Extension Kit
1509698 Assembly, Fv Pressure Gauge, 1/8"
K-23723 Faucet cleaner

Technology

- Flushometer activates when hand is waved over electronic infrared WAVE sensor
-

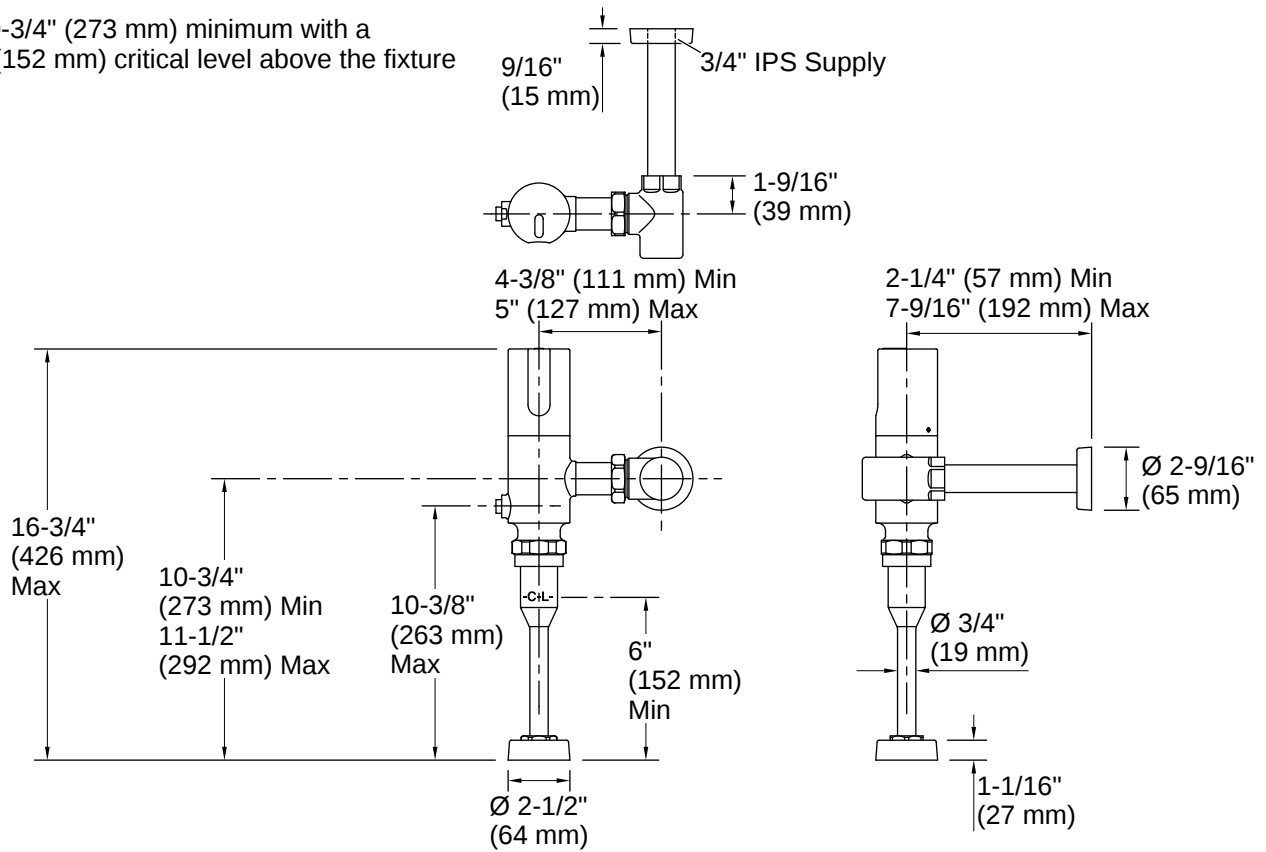
Warranty

See [website](#) for detailed warranty information.

KOHLER® One-Year Limited Warranty



*10-3/4" (273 mm) minimum with a 6" (152 mm) critical level above the fixture



Installation

- Intended for urinal installations with 3/4" (19 mm) top spud coupling connection

Installation Notes

Install this product according to the installation instructions.

ADA, OBC, CSA B651 compliant when installed to the specific requirements of these regulations.

