



Mach[®] WAVE | K-40UH00D20

Touchless urinal flushometer, HES-powered, .125 gpf

Features

- 0.125 gpf (0.47 lpf)
- Activation distance is factory-set
- Chloramine and chlorine resistance on all rubber components exposed to waterway
- Engineered for optimal performance with KOHLER[®] commercial fixtures
- 125-micron filter protects internal components
- High back pressure vacuum breaker
- Locking stop cap provides protection against vandalism
- No external flush volume adjustment ensures water conservation
- 24-hour automatic sentinel flush keeps trapway fresh
- Mechanical override enables flushometer to be used manually even during a power outage
- Powered by a 30 year/875,000 cycle hybrid energy cell, based on 72 uses per day
- Patented piston technology for superior flush volume accuracy



Sustainability



Available Colors/Finishes

Color tiles intended for reference only.

■ CP Polished Chrome



1-800-4KOHLER (1-800-456-4537)
Kohler Co. reserves the right to make revisions without notice to product specifications.
For the most current specification sheet, go to www.kohler.com USA or www.kohler.ca Canada.
4-15-2026 3:24 - US-CA

THE BOLD LOOK
OF **KOHLER**[®]

Codes/Standards

ADA, OBC, CSA B651 compliant when installed to the specific requirements of these regulations.

This product should be used with a WaterSense labeled counterpart with the same rated flush volume to ensure the complete system meets the requirements of this specification for water efficiency and performance.



ASME A112.18.1/CSA B125.1
ASSE 1037/ASME A112.1037/CSA B125.37
EPA WaterSense®
ADA
ICC/ANSI A117.1
CSA B651
OBC

Warranty

See website for detailed warranty information.

KOHLER® One-Year Limited Warranty

Pressure/Fixture Supply Requirements

Minimum Flowing Pressure: 25 psi (172.4 kPa)
Minimum Flow Rate: 25 gpm (94.6 l/min)

Material

- Brass construction with durable Polished Chrome finish

Recommended Products/Accessories

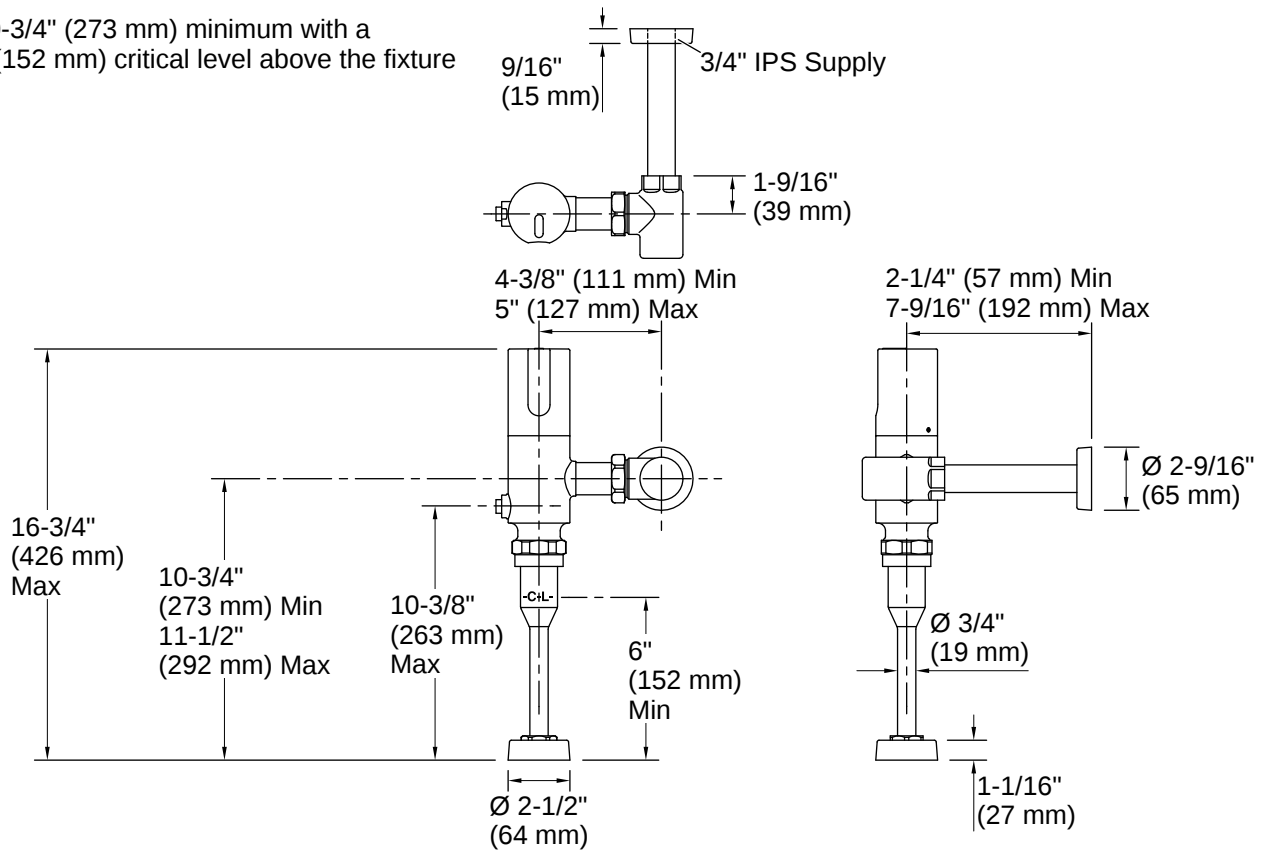
1421939 Extension Kit
1509698 Assembly, Fv Pressure Gauge, 1/8"
K-23723 Faucet cleaner

Technology

- Flushometer activates when hand is waved over electronic infrared WAVE sensor



*10-3/4" (273 mm) minimum with a
 6" (152 mm) critical level above the fixture



Installation

- Intended for urinal installations with 3/4" (19 mm) top spud coupling connection

Installation Notes

Install this product according to the installation instructions.

This product should be used with a WaterSense labeled counterpart with the same rated flush volume to ensure the complete system meets the requirements of this specification for water efficiency and performance.

ADA, OBC, CSA B651 compliant when installed to the specific requirements of these regulations.

