



# Mach<sup>®</sup> WAVE | K-40UD00K20

Touchless urinal flushometer, DC-powered, 1.0 gpf

## Features

- Activation distance is factory-set
- Chloramine and chlorine resistance on all rubber components exposed to waterway
- Engineered for optimal performance with KOHLER<sup>®</sup> commercial fixtures
- 125-micron filter protects internal components
- High back pressure vacuum breaker
- Locking stop cap provides protection against vandalism
- No external flush volume adjustment ensures water conservation
- 24-hour automatic sentinel flush keeps trapway fresh
- Mechanical override enables flushometer to be used manually even during a power outage
- Includes 1.5V AA alkaline batteries
- Patented piston technology for superior flush volume accuracy



## Available Colors/Finishes

*Color tiles intended for reference only.*

- CP Polished Chrome



1-800-4KOHLER (1-800-456-4537)  
Kohler Co. reserves the right to make revisions without notice to product specifications.  
For the most current specification sheet, go to [www.kohler.com](http://www.kohler.com) USA or [www.kohler.ca](http://www.kohler.ca) Canada.  
4-15-2026 3:6 - US-CA

THE BOLD LOOK  
OF **KOHLER**<sup>®</sup>

## Codes/Standards

ADA, OBC, CSA B651 compliant when installed to the specific requirements of these regulations.

ADA   CSA B651   OBC

ASME A112.18.1/CSA B125.1

ASSE 1037/ASME A112.1037/CSA B125.37

ADA

ICC/ANSI A117.1

CSA B651

OBC

---

## Pressure/Fixture Supply Requirements

Minimum Flowing Pressure:      25 psi (172.4 kPa)

Minimum Flow Rate:              25 gpm (94.6 l/min)

---

## Material

- Brass construction with durable Polished Chrome finish
- 

## Recommended Products/Accessories

1421939 Extension Kit

1509698 Assembly, Fv Pressure Gauge, 1/8"

K-23723 Faucet cleaner

---

## Technology

- Flushometer activates when hand is waved over electronic infrared WAVE sensor
- 

## Warranty

See [website](#) for detailed warranty information.

KOHLER® One-Year Limited Warranty

---



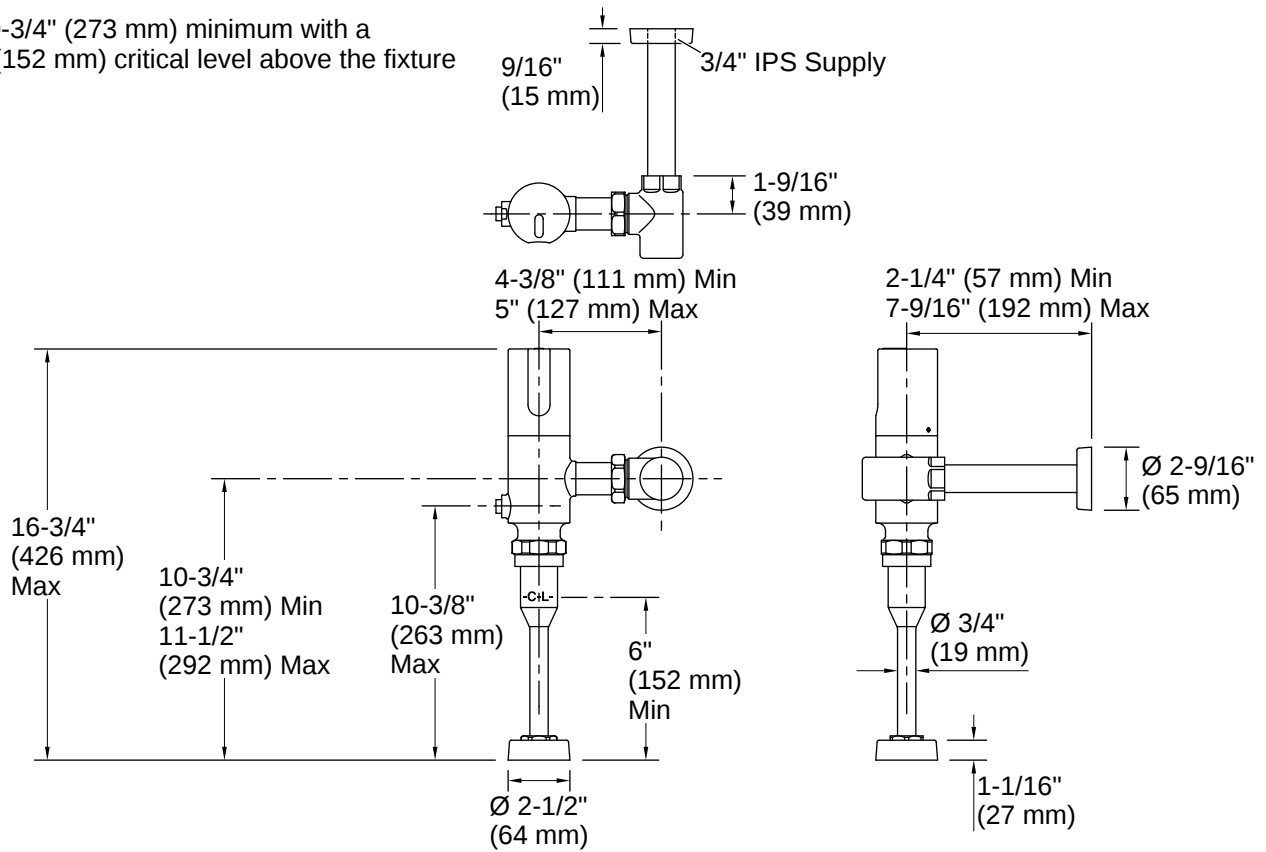
1-800-4KOHLER (1-800-456-4537)

Kohler Co. reserves the right to make revisions without notice to product specifications.

For the most current specification sheet, go to [www.kohler.com](http://www.kohler.com) USA or [www.kohler.ca](http://www.kohler.ca) Canada.

4-15-2026 3:6 - US-CA

\*10-3/4" (273 mm) minimum with a 6" (152 mm) critical level above the fixture



## Installation

- Intended for urinal installations with 3/4" (19 mm) top spud coupling connection

## Installation Notes

*Install this product according to the installation instructions.*

ADA, OBC, CSA B651 compliant when installed to the specific requirements of these regulations.

