

Triton® Bowe® | K-400T70-5ANA

0.5 gpm centerset bathroom sink faucet with aerated flow, gooseneck spout and wristblade handles, drain not included

Features

- Quarter-turn washerless ceramic disc valves
- Vandal-resistant aerated flow
- Wristblade lever handle
- Less drain
- 0.5 gpm (1.9 lpm) maximum flow rate at 60 psi (4.14 bar)



Sustainability



Available Colors/Finishes

Color tiles intended for reference only.

CP Polished Chrome



Codes/Standards

ADA, OBC, CSA B651 compliant when installed to the specific requirements of these regulations.



ASME A112.18.1/CSA B125.1
NSF/ANSI/CAN 372
NSF/ANSI/CAN 61
DOE - Energy Policy Act 1992
California Energy Commission (CEC)
ADA
ICC/ANSI A117.1
CSA B651
OBC

Warranty

See website for detailed warranty information.

KOHLER® One-Year Limited Warranty

Technical Information

All product dimensions are nominal.

Handle

Handle Style/ Type: Lever

Spout

Spout Reach: 5-3/16" (132 mm)

Flow Rate

Faucet Flow Rate: 0.5 gpm (1.9 l/min)

Valves

Included Valves: Ceramic disc, Thermostatic Mixer

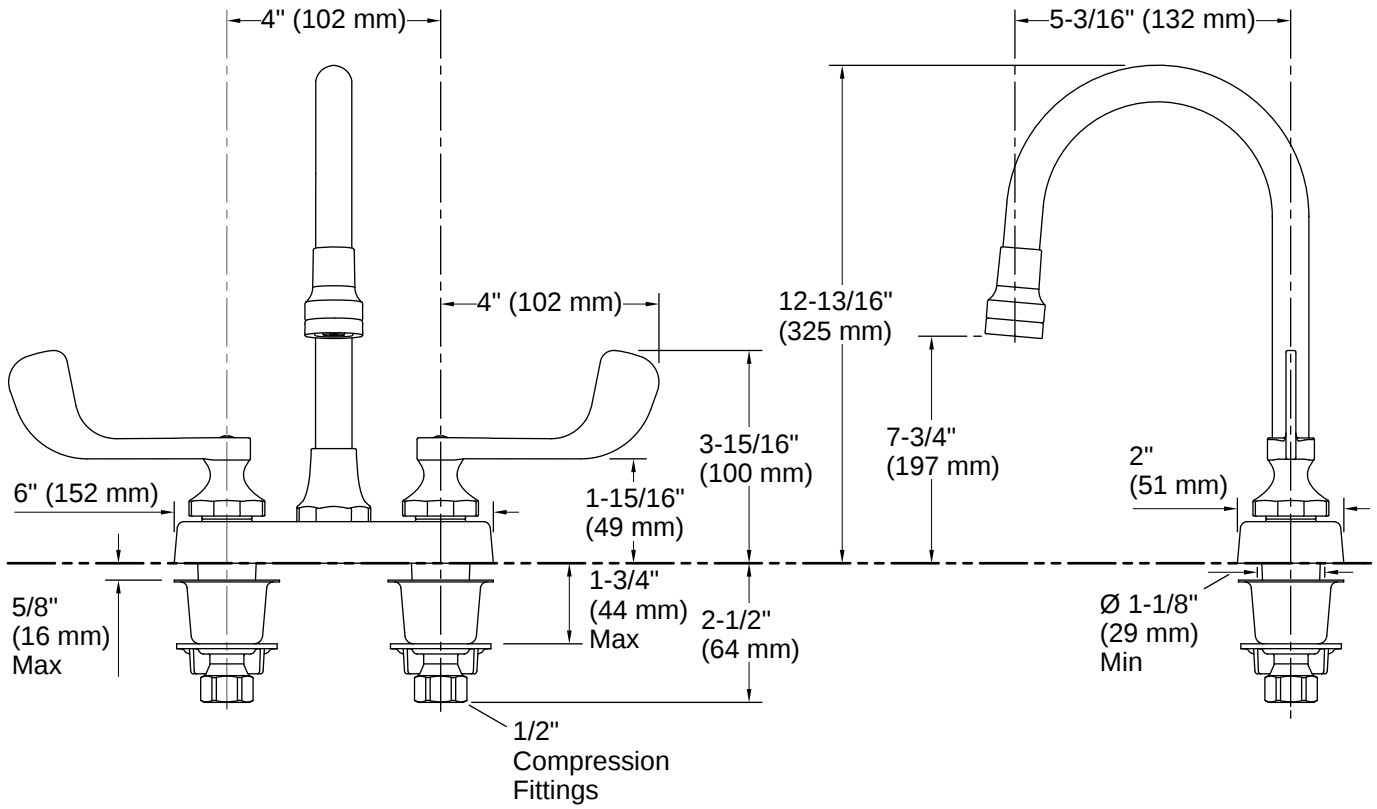
Material

- Brass
- Brass valve bodies

Recommended Products/Accessories

K-23723 Faucet cleaner





Installation Notes

Install this product according to the installation instructions.

ADA compliant for handles only.
 ADA, OBC, CSA B651 compliant when installed to the specific requirements of these regulations.

