



Vault™ | K-3822-4

25" top-/undermount single-bowl kitchen sink

Features

- 27" (686 mm) minimum base cabinet width
- Single bowl
- 9" (229 mm) depth provides generous workspace
- Rear drain placement increases cabinet storage space underneath sink
- Includes installation hardware
- Three faucet holes and one accessory hole to the right



Sustainability



Available Colors/Finishes

Color tiles intended for reference only.

 NA Stainless Steel



1-800-4KOHLER (1-800-456-4537)
Kohler Co. reserves the right to make revisions without notice to product specifications.
For the most current specification sheet, go to www.kohler.com USA or www.kohler.ca Canada.
4-15-2026 4:27 - US-CA

THE BOLD LOOK
OF **KOHLER**®

Codes/Standards

ASME A112.19.3/CSA B45.4

Technical Information

All product dimensions are nominal.

Number of Deck Holes:	4
Faucet Hole(s) Size:	1-7/16" (37 mm)
Center(s):	8" (203 mm)
Drain Hole Diameter:	3-7/8" (98 mm)
Minimum Base Cabinet Width:	27" (686 mm)
Basin Configuration:	Single Bowl
Basin Length:	22-1/4" (565 mm)
Basin Width:	16-9/16" (421 mm)
Basin Depth:	9" (229 mm)

Material

- Premium 18-gauge stainless steel
-

Recommended Products/Accessories

K-23726 Drain treatment

K-23729 Stainless steel cleaner

K-6645 Stainless steel sink rack

K-8801 Sink drain and strainer with tailpiece

K-8799 Sink drain and strainer basket, less tailpiece

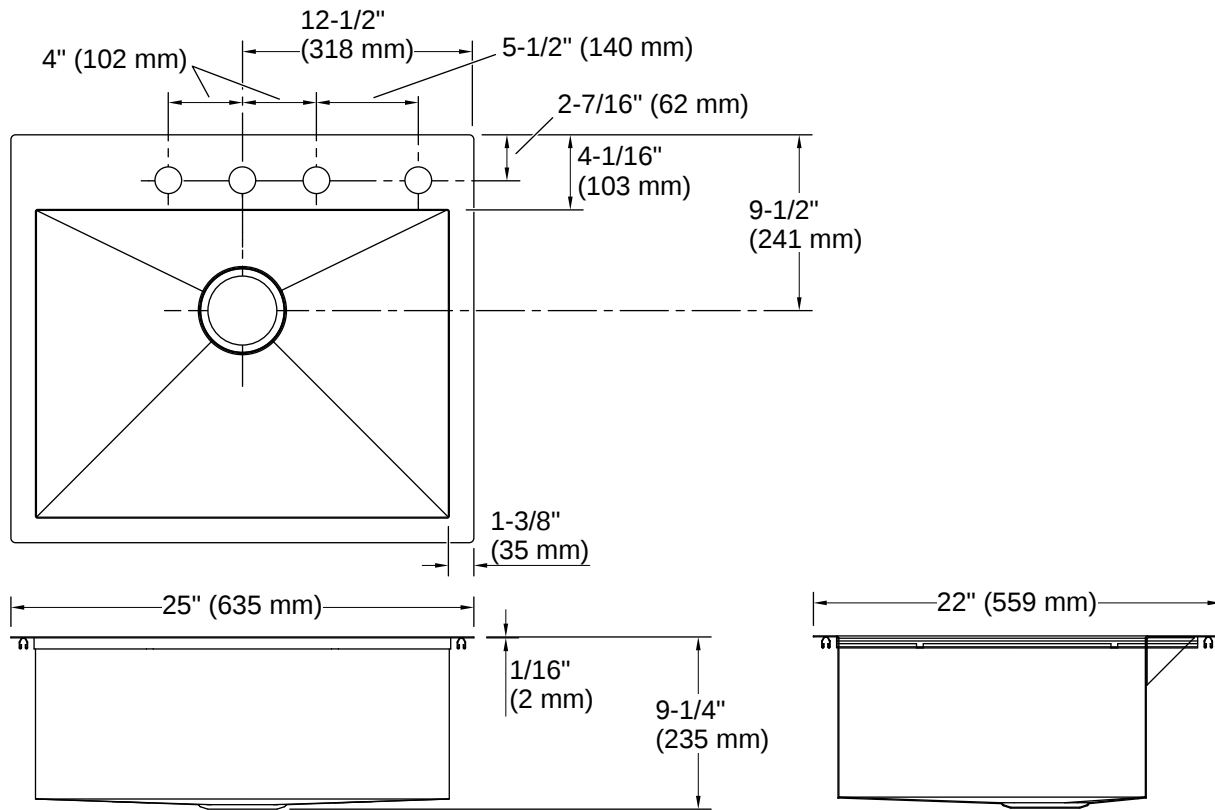
Warranty

See website for detailed warranty information.

KOHLER® Stainless Steel Sinks Lifetime Limited Warranty



1-800-4KOHLER (1-800-456-4537)
Kohler Co. reserves the right to make revisions without notice to product specifications.
For the most current specification sheet, go to www.kohler.com USA or www.kohler.ca Canada.
4-15-2026 4:27 - US-CA



Installation

- Top-mount or undermount

Installation Notes

Install this product according to the installation instructions.

Allow 3/4" (19 mm) clearance beyond the back of the bowl for the wood cutting board (optional accessory).

