



Vault™ | K-3820

32" undermount double-bowl kitchen sink

Features

- 36" minimum base cabinet width
- Double-equal bowls
- 9" (229 mm) depth provides generous workspace
- Rear drain placement increases cabinet storage space underneath sink
- Includes installation hardware



Sustainability



Available Colors/Finishes

Color tiles intended for reference only.

 NA Stainless Steel



1-800-4KOHLER (1-800-456-4537)
Kohler Co. reserves the right to make revisions without notice to product specifications.
For the most current specification sheet, go to www.kohler.com USA or www.kohler.ca Canada.
4-15-2026 3:16 - US-CA

THE BOLD LOOK
OF **KOHLER**®

Codes/Standards

ASME A112.19.3/CSA B45.4

Technical Information

All product dimensions are nominal.

Drain Hole Diameter:	3-7/8" (98 mm)
Minimum Base Cabinet Width:	36" (914 mm)
Basin Configuration:	Equal Bowls
Left Basin Length:	14-9/16" (370 mm)
Left Basin Width:	16-9/16" (420 mm)
Left Basin Depth:	9" (229 mm)
Right Basin Length:	14-9/16" (370 mm)
Right Basin Width:	16-9/16" (420 mm)
Right Basin Depth:	9" (229 mm)

Material

- Premium 18-gauge stainless steel
-

Recommended Products/Accessories

K-23726 Drain treatment

K-23729 Stainless steel cleaner

K-8801 Sink drain and strainer with tailpiece

K-8799 Sink drain and strainer basket, less tailpiece

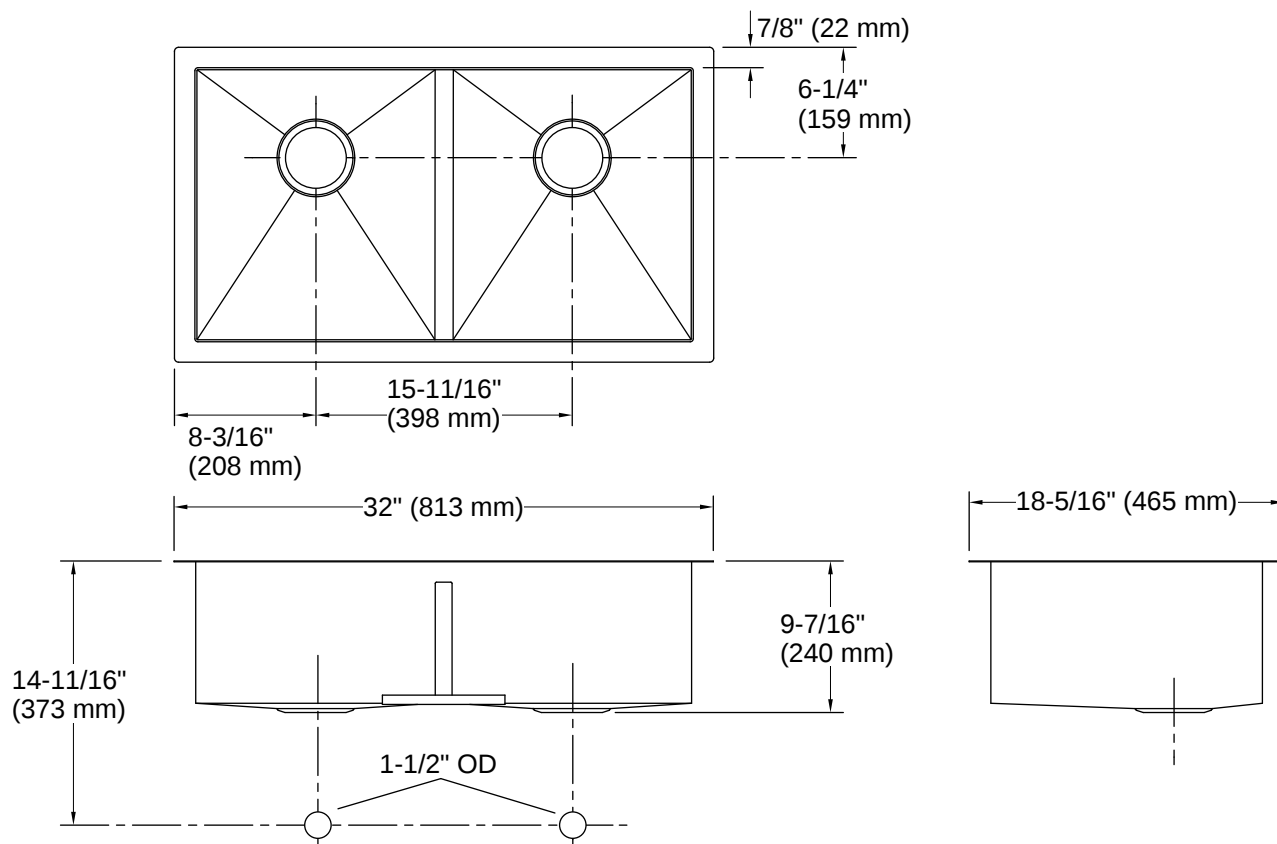
Warranty

See website for detailed warranty information.

KOHLER® Stainless Steel Sinks Lifetime Limited Warranty



1-800-4KOHLER (1-800-456-4537)
Kohler Co. reserves the right to make revisions without notice to product specifications.
For the most current specification sheet, go to www.kohler.com USA or www.kohler.ca Canada.
4-15-2026 3:16 - US-CA



Installation

- Undermount

Installation Notes

Install this product according to the installation instructions.

Allow 3/4" (19 mm) clearance beyond the back of the bowl for the wood cutting board (optional accessory).

