



# Vault™ | K-3820-4

33" top-/undermount double-bowl kitchen sink

## Features

- 36" minimum base cabinet width
- Double-equal bowls
- 9" (229 mm) depth provides generous workspace
- Rear drain placement increases cabinet storage space underneath sink
- Includes installation hardware
- Three faucet holes and one accessory hole to the right



## Sustainability



## Available Colors/Finishes

*Color tiles intended for reference only.*

 NA Stainless Steel



1-800-4KOHLER (1-800-456-4537)  
Kohler Co. reserves the right to make revisions without notice to product specifications.  
For the most current specification sheet, go to [www.kohler.com](http://www.kohler.com) USA or [www.kohler.ca](http://www.kohler.ca) Canada.  
4-15-2026 4:24 - US-CA

THE BOLD LOOK  
OF **KOHLER**®

---

## Codes/Standards

ASME A112.19.3/CSA B45.4

---

## Technical Information

*All product dimensions are nominal.*

Number of Deck Holes:	4
Faucet Hole(s) Size:	1-7/16" (37 mm)
Center(s):	8" (203 mm)
Drain Hole Diameter:	3-7/8" (98 mm)
Minimum Base Cabinet Width:	36" (914 mm)
Basin Configuration:	Equal Bowls
Left Basin Length:	16-9/16" (421 mm)
Left Basin Width:	14-9/16" (370 mm)
Left Basin Depth:	9" (229 mm)
Right Basin Length:	14-9/16" (370 mm)
Right Basin Width:	16-9/16" (420 mm)
Right Basin Depth:	9" (229 mm)

---

## Material

- Premium 18-gauge stainless steel
- 

## Recommended Products/Accessories

K-23726 Drain treatment

K-23729 Stainless steel cleaner

K-6641 Stainless steel sink rack

K-8801 Sink drain and strainer with tailpiece

K-8799 Sink drain and strainer basket, less tailpiece

---

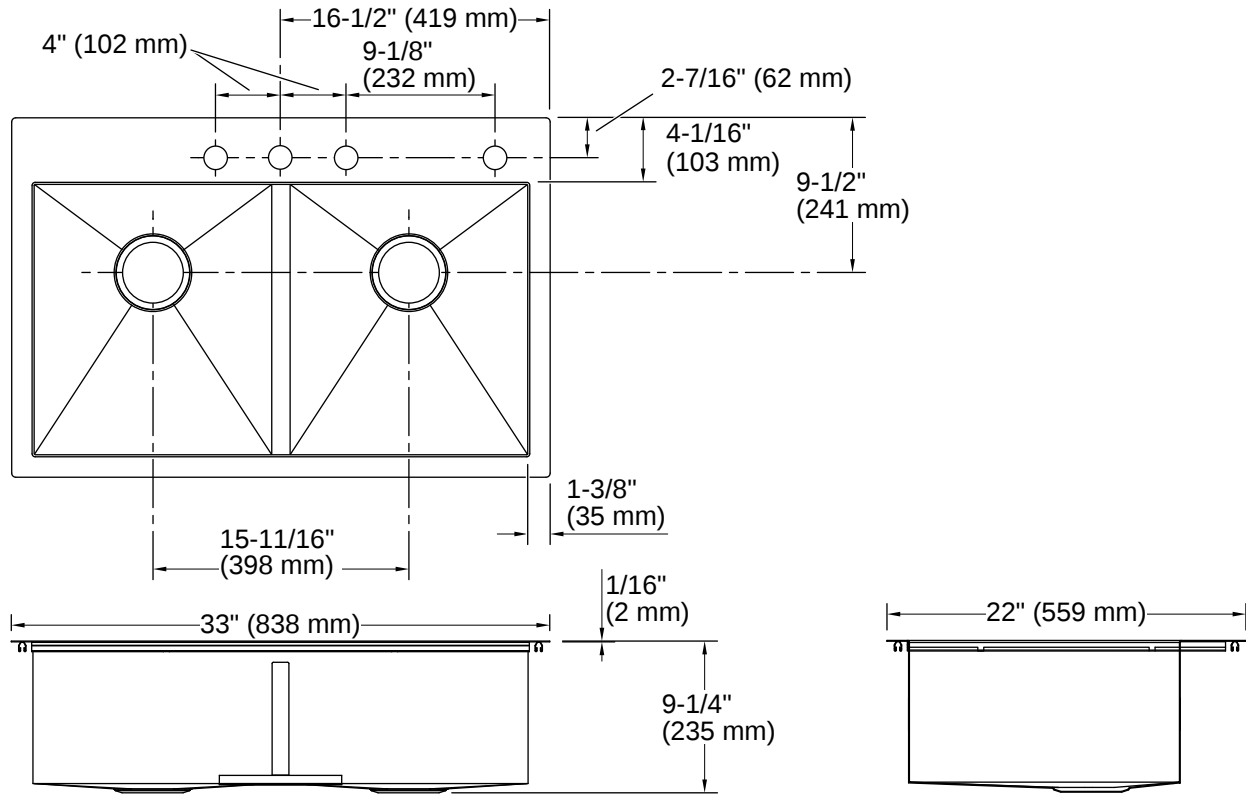
## Warranty

*See website for detailed warranty information.*

KOHLER® Stainless Steel Sinks Lifetime Limited Warranty



1-800-4KOHLER (1-800-456-4537)  
Kohler Co. reserves the right to make revisions without notice to product specifications.  
For the most current specification sheet, go to [www.kohler.com](http://www.kohler.com) USA or [www.kohler.ca](http://www.kohler.ca) Canada.  
4-15-2026 4:24 - US-CA



## Installation

- Top-mount or undermount

## Installation Notes

*Install this product according to the installation instructions.*

Allow 3/4" (19 mm) clearance beyond the back of the bowl for the wood cutting board (optional accessory).

