



Barrington™ | K-3554

Two-piece elongated toilet, 1.6 gpf

Features

- Elongated bowl offers added room and comfort
- Equipped with Sloan FLUSHMATE® – Sloan® Valve Company
- Polished Chrome trip lever
- Rear outlet
- 4" (102 mm) rough-in
- 1.6 gpf (6.0 lpf)
- Left-hand trip lever



Available Colors/Finishes

Color tiles intended for reference only.

- 0 White
- 96 Biscuit
- 7 Black Black



1-800-4KOHLER (1-800-456-4537)
Kohler Co. reserves the right to make revisions without notice to product specifications.
For the most current specification sheet, go to www.kohler.com USA or www.kohler.ca Canada.
4-15-2026 8:1 - US-CA

THE BOLD LOOK
OF **KOHLER**

Codes/Standards

Accessibility standards may require controls to be located on the open side of the toilet.

Plumbing codes may require elongated toilets and elongated, open-front seats in public bathrooms.

ASME A112.19.2/CSA B45.1

DOE - Energy Policy Act 1992

Technical Information

Installation Type:	Floor-mount
Rough-in:	4"
Flush Type:	Pressure Lite
Flush Rate:	1.6 gpf (6 lpf)
Bowl Shape:	Elongated
Seat-Mounting Holes:	5-1/2" (140 mm)
Waste Outlet:	Wall
Trapway Size:	2-1/4" (57 mm)
Trapway Type:	Exposed
Water Surface Size:	12" x 10" (305 mm x 254 mm)
Rim to Water Surface:	7" (178 mm)

Included Combo Skus

- K-4327 Elongated toilet bowl
 - K-4645 Toilet tank, 1.6 gpf
-

Recommended Products/Accessories

K-5588 Deodorizing elongated toilet seat

K-5420 Low-profile toilet bolt caps

K-4108 Elongated bidet toilet seat with remote control

Warranty

See website for detailed warranty information.

KOHLER® One-Year Limited Warranty

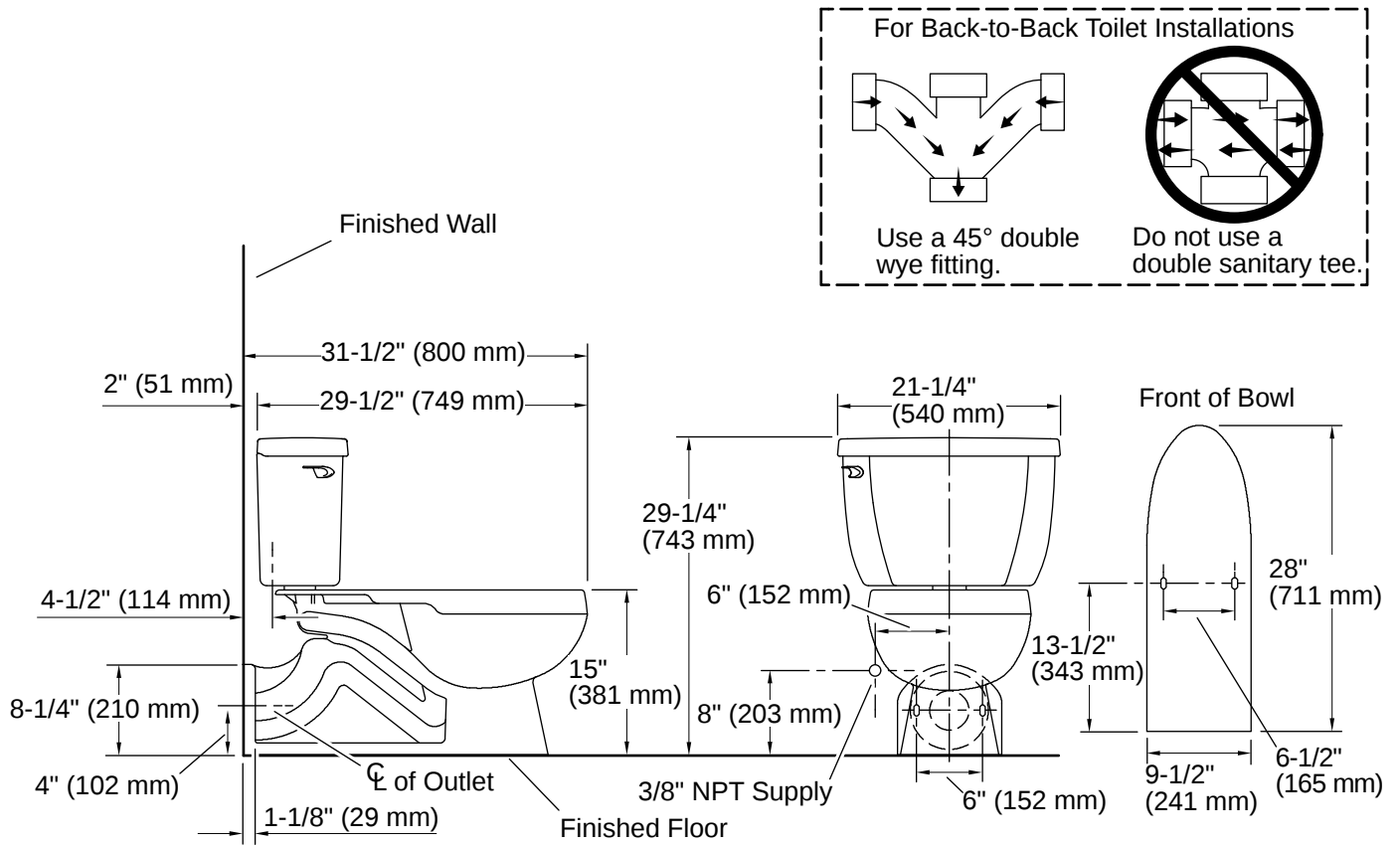


1-800-4KOHLER (1-800-456-4537)

Kohler Co. reserves the right to make revisions without notice to product specifications.

For the most current specification sheet, go to www.kohler.com USA or www.kohler.ca Canada.

4-15-2026 8:1 - US-CA



Installation

- Seat and supply line sold separately

Installation Notes

Install this product according to the installation instructions.

For back-to-back toilet installations: Use only a 45° double wye fitting.

Product dimensions are nominal and may vary per ASME A112.19.2 tolerances.

