

Seagrove® by Studio McGee | K-35028

60" bathroom vanity cabinet with sinks and quartz top

Features

- Designed in collaboration with Studio McGee
- Set includes cabinet, precut quartz vanity top, backsplash, sinks, tall legs and shelf, cabinet hardware
- Full-extension 17" (432 mm) drawers with soft-close undermount slides
- Three-way adjustable soft-close door hinges for easy cabinet access
- 20-7/16" (519 mm) cabinet interior provides ample storage space
- Finish-matched cabinet interior offers generous clearance for plumbing
- Two internal electrical outlets and two USB ports for powering small devices
- Two stainless steel appliance holders for hairdryers, curling irons, or accessories
- Vanity top has 8" (203 mm) widespread faucet holes; requires deck-mount faucets (sold separately)
- Vibrant® Polished Nickel hardware included on Ferrous Grey vanities and Vibrant Brushed Moderne Brass hardware on Light Clay vanities. Additional hardware finishes available (sold separately)
- Bianco Bella (GBB) quartz vanity top adds beauty and long-lasting durability
- Coordinates with Bianco Bella (GBB) quartz side splash (sold separately)



Available Colors/Finishes

Color tiles intended for reference only.

- DWG Ferrous Grey
- LWG Light Clay



Codes/Standards

ASME A112.19.2/CSA B45.1
EPA TSCA Title VI/CARB P2

Technical Information

All product dimensions are nominal.

Lighting Included:	No
Number of Deck Holes:	3
Center(s):	8" (203 mm)

Material

- Quartz vanity top
 - Vitreous china sinks
 - Solid and composite wood
-

Recommended Products/Accessories

K-38554 4" x 21-11/16" quartz side splash

Required Electrical Service

One circuit required.

Outlet: 120 V, 12 A, 60 Hz

Electrical Component Ratings

Outlet: 120 V, 12 A, 60 Hz

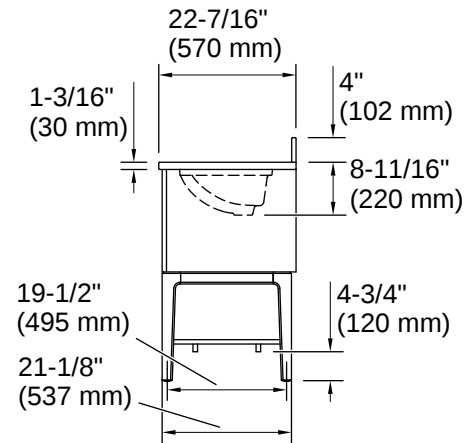
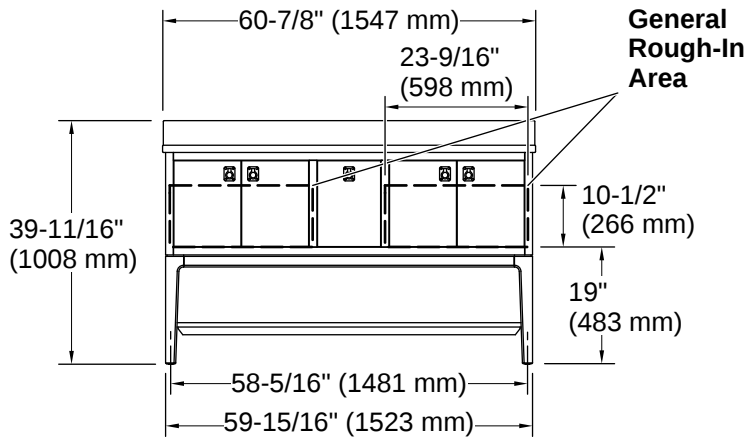
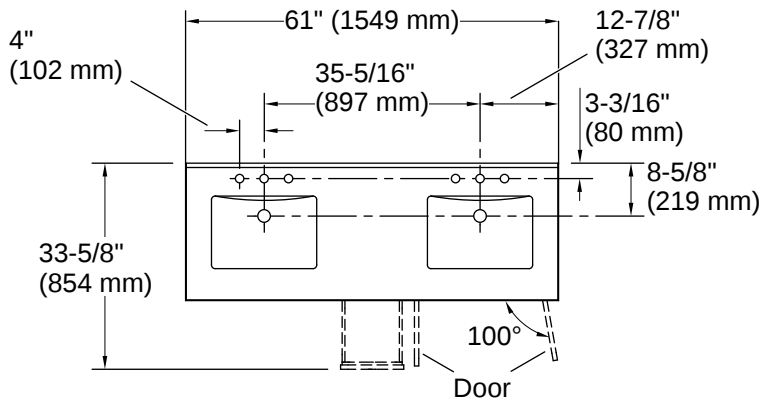
Power Cord Length: 98.4" (2499 mm)

Warranty

See website for detailed warranty information.

KOHLER® One-Year Limited Warranty





Installation

- Easy installation – no special tools required
- Sinks preinstalled on vanity top to simplify installation

Installation Notes

Install this product according to the installation instructions.

Select the type of fastener based upon the wall material. Two 250 lb (113.4 kg) minimum load bearing fasteners are recommended with a lag bolt of length to clear obstacles in the wall and 5/16" washers. Calculate the proper lag bolt length by adding the 1-1/2" (38 mm) backing material, plus the wallboard thickness, plus the back rail thickness.

